



ENGINEERING DATA

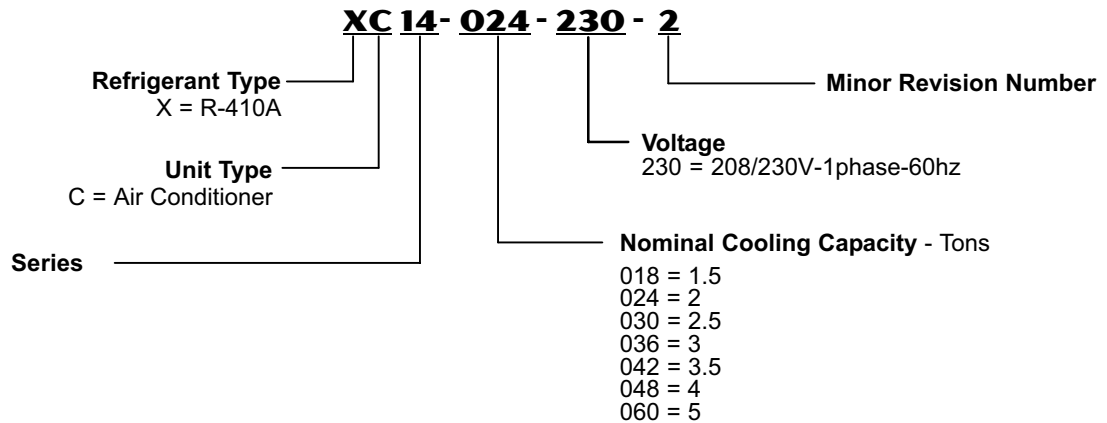
XC14
ELITE® SERIES
R-410A

Bulletin No. 210484
 July 2007
 Supersedes June 2007



SEER up to 16.20
1.5 to 5 Tons
Cooling Capacity - 16,900 to 58,000 Btuh

MODEL NUMBER IDENTIFICATION



FEATURES

CONTENTS

ARI Rating Tables	Pages 9 - 36
Indoor Coil / Air Handler Substitution	Page 8
Dimensions	Page 7
Electrical Data	Page 5
Features	Pages 2 - 4
Field Wiring	Page 6
Installation Clearances	Page 6
Model Number Identification	Page 1
Outdoor Sound Data	Page 6
Specifications	Page 5

WARRANTY

Compressor - limited warranty for **ten years** in residential installations and five years in non-residential installations.

All other covered components - **five years** in residential installations and one year in non-residential installations.

Refer to Lennox Equipment Limited Warranty certificate included with unit for specific details.

APPROVALS

Certified in Accordance with the USE certification program, which is based on ARI Standard 210/240.

Sound rated in Lennox reverberant sound test room in Accordance with test conditions included in ARI Standard 270.

Tested in the Lennox Research Laboratory environmental test room.

Rated According to U.S. Department of Energy (DOE) test procedures.

Units and components within bonded for grounding to meet safety standards for servicing required by UL, NEC and CEC.

Units are UL listed and CSA certified.

ISO 9001 Registered Manufacturing Quality System.

ENERGY STAR® certified units are designed to use less energy, help save money on utility bills, and help protect the environment.

APPLICATIONS

SEER up to 16.20.

1.5 through 5 ton.

Single-phase power supply.

Vertical air discharge allows concealment behind shrubs at grade level or out of sight on a roof.

Matching add-on furnace indoor coils or air handlers provide a wide range of cooling capacities and applications. See ARI Ratings table.

See Indoor Coils and Air Handlers sections for data.

Units shipped completely factory assembled, piped and wired. Each unit test operated at the factory ensuring proper operation.

Installer must set air conditioner, connect refrigerant lines and make electrical connections to complete job.

For expanded ratings, see www.lennox.com.



REFRIGERATION SYSTEM

Refrigerant

Non-chlorine, ozone friendly, R-410A.

Unit pre-charged with refrigerant.

See Specification table.



1 Outdoor Coil Fan

Direct drive fan moves large air volumes uniformly through entire condenser coil for high refrigerant cooling capacity.

Vertical air discharge minimizes operating sounds and eliminates damage to lawn and shrubs.

Fan motor has sleeve bearings and is inherently protected.

Motor totally enclosed for maximum protection from weather, dust and corrosion

Fan guard constructed of corrosion-resistant PVC (polyvinyl chloride) coated steel.

Fan service access accomplished by removal of fan guard.

2 Copper Tube/Enhanced Fin Coil

Lennox designed and fabricated coil.

Ripple-edged aluminum fins.

Copper tube construction.

Lanced fins provide maximum exposure of fin surface to air stream resulting in excellent heat transfer.

Fin collars grip tubing for maximum contact area.

Flared shoulder tubing connections/silver soldering construction.

Coil is factory tested under high pressure to ensure leakproof construction.

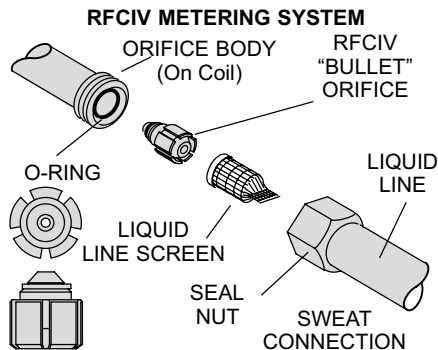
Entire coil is accessible for cleaning.

FEATURES

REFRIGERATION SYSTEM - CONTINUED

Refrigerant Flow Control

Units applicable to expansion valve systems or RFC systems when matched with specific evaporator coils.



RFCIV:

Accurately meters refrigerant in system.

Refrigerant control is accomplished by exact sizing of refrigerant metering orifice.

The principle involves matching indoor coil with proper bore size of orifice in metering device.

Equalizes pressure shortly after compressor stops, unit starts unloaded, eliminating need for additional controls.

Furnished with air conditioner.

High Capacity Liquid Line Drier

Furnished with unit for field installation.

Approved for use with R-410A systems.

Traps any moisture or dirt that could contaminate the refrigerant system.

3 High Pressure Switch

Shuts off unit if abnormal operating conditions cause the discharge pressure to rise above setting.

Protects compressor from excessive condensing pressure.

Manual reset.

OPTIONS

Expansion Valve Kits

Must be ordered extra and field installed on certain indoor units. See ARI Ratings tables.

Chatleff-style fittings.

Freezestat

Installs on or near the vapor line of the indoor coil or on the suction line.

Senses suction line temperature and cycles the compressor off when suction line temperature falls below its setpoint.

Opens at 29°F and closes at 58°F.

Loss of Charge Switch Kit

Helps protect the compressor from damage due low refrigerant charge conditions.

SPST, normally-closed switch, automatic reset switch mounted on suction line.

Refrigerant Line Kits

Refrigerant lines (suction & liquid) are shipped refrigeration clean. Lines are cleaned, dried, pressurized and sealed at factory.

Suction line fully insulated.

Lines are stubbed at both ends.

Not available for -060 models and must be field fabricated.

COMPRESSOR

4 Scroll Compressor

Compressor features high efficiency with uniform suction flow, constant discharge flow and high volumetric efficiency and quiet operation.

Compressor consists of two involute spiral scrolls matched together to generate a series of crescent shaped gas pockets between them.

During compression, one scroll remains stationary while the other scroll orbits around it.

Gas is drawn into the outer pocket, the pocket is sealed as the scroll rotates.

As the spiral movement continues, gas pockets are pushed to the center of the scrolls. Volume between the pockets is simultaneously reduced.

When pocket reaches the center, gas is now at high pressure and is forced out of a port located in the center of the fixed scrolls.

During compression, several pockets are compressed simultaneously resulting in a smooth continuous compression cycle.

Continuous flank contact, maintained by centrifugal force, minimizes gas leakage and maximizes efficiency.

Scroll compressor is tolerant to the effects of slugging and contaminants. If this occurs, scrolls separate, allowing liquid or contaminants to be worked toward the center and discharged.

Low gas pulses during compression reduces operational sound levels.

Compressor motor is internally protected from excessive current and temperature.

Compressor is installed in the unit on specially formulated, resilient rubber base for improved sound dampening and vibration-free operation resulting in quieter operating sound levels. See Outdoor Sound Data table for details.

Compressor Crankcase Heater (048 & 060 Models)

Protects against refrigerant migration that can occur during low ambient operation.

Factory Installed

5 Compressor Sound Dampening System

A polyethylene compressor cover containing a 2 inch thick batt of fiberglass insulation for better sound dampening.

All open edges are sealed with a one-inch wide hook and loop fastening tape.

OPTIONS

Compressor Crankcase Heater (018 thru 042 models)

Protects against refrigerant migration that can occur during low ambient operation.

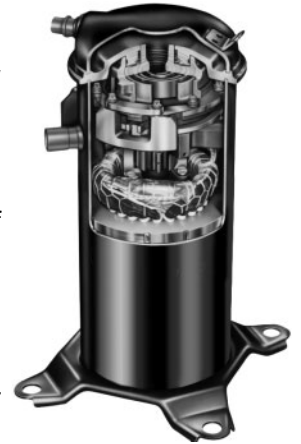
Compressor Hard Start Kit

Single-phase units are equipped with a PSC compressor motor. This type of motor normally doesn't need a potential relay and start capacitor.

In conditions such as low voltage, this kit may be required to increase the compressor starting torque.

Compressor Low Ambient Cut-Off

Non-adjustable switch (low ambient cut-out) prevents compressor operation when outdoor temperature is below 35°F.



FEATURES

CONTROLS

OPTIONS

Indoor Blower Off Delay Relay

Delays the indoor blower-off time during the cooling cycle. See ARI Rating Tables for usage.

Low Ambient Kit

Air conditioners operate satisfactorily down to 45°F outdoor air temperature without any additional controls. Low Ambient Control Kit can be field installed, allowing unit operation down to 30°F.

Freezestat should be installed on compressors equipped with a low ambient kit.

A compressor lock-out thermostat should be added to terminate compressor operation below recommended operation conditions

Thermostat

Thermostat not furnished with unit. See Thermostat bulletins in Controls Section and Lennox Price Book.

Timed-Off Control

Kit prevents compressor short-cycling and allows time for suction and discharge pressure to equalize.

Permits compressor start-up in an unloaded condition.

Automatic reset with 5 minute delay between compressor shut-off and start-up.

CABINET

Heavy-gauge steel construction

Pre-painted cabinet finish.

Painted base section.

- 6 Control box is conveniently located with all controls factory wired.

Corner patch plate allows access to compressor components.

Drainage holes are provided in base section for moisture removal.

High density polyethylene unit support feet raise the unit off of the mounting surface, away from damaging moisture.

SmartHinge™ Louvered Coil Protection

- 7 Steel louvered panels provides complete coil protection.

Panels are hinged to allow easy cleaning and servicing of coils.

Panels may be completely removed.

Interlocking tabs and slots assure tight fit on cabinet.



Refrigerant Line Connections, Electrical Inlets and Service Valves

- 8 Suction and liquid lines are located on corner of unit cabinet and are made with sweat connections. See dimension drawing.

Fully serviceable brass service valves prevent corrosion and provide access to refrigerant system. Suction valve can be fully shut off, while liquid valve may be front seated to manage refrigerant charge while servicing system.

Suction and liquid line service valves and gauge ports are located inside the cabinet.

Refrigerant line connections and field wiring inlets are located in one central area of the cabinet. See dimension drawing.

SPECIFICATIONS

General Data		Model No.	XC14-018	XC14-024	XC14-030	XC14-036	XC14-042	XC14-048	XC14-060
Nominal Tonnage			1.5	2	2.5	3	3.5	4	5
Connections (sweat)	Liquid line o.d. - in.		3/8	3/8	3/8	3/8	3/8	3/8	3/8
	Suction line o.d. - in.		3/4	3/4	3/4	7/8	7/8	7/8	1-1/8
¹ Refrigerant (R-410A) furnished			6 lbs. 12 oz.	7 lbs. 10 oz.	8 lbs. 0 oz.	8 lbs. 9 oz.	8 lbs. 10 oz.	10 lbs. 0 oz.	12 lbs. 0 oz.
Outdoor Coil	Net face area - sq. ft.	Outer coil	13.22	13.22	16.33	16.33	16.33	21.00	22.00
		Inner coil	12.60	12.60	15.71	15.71	15.71	20.25	21.33
	Tube diameter - in.		5/16	5/16	5/16	5/16	5/16	5/16	5/16
	Number of rows		2	2	2	2	2	2	2
	Fins per inch		22	22	22	22	22	22	22
Outdoor Fan	Diameter - in.		18	18	22	22	22	22	26
	Number of blades		4	4	4	4	4	4	4
	Motor hp		1/5	1/5	1/6	1/6	1/4	1/4	1/3
	Cfm		2400	2400	2900	2900	3500	3600	4400
	Rpm		1100	1100	825	825	825	825	825
	Watts		200	200	220	220	310	310	310
Shipping Data - lbs. 1 package			181	183	213	215	243	272	290

ELECTRICAL DATA

Line voltage data - 60 Hz - 1ph		208/230V	208/230V	208/230V	208/230V	208/230V	208/230V	208/230V
² Maximum overcurrent protection (amps)		20	30	30	30	40	50	60
³ Minimum circuit ampacity		12.3	17.9	17.2	18.7	24.1	29.0	34.8
Compressor	Rated load amps	9.0	13.4	12.9	14.1	17.9	21.8	26.4
	Power factor	.96	.97	.98	.98	.94	.95	.98
	Locked rotor amps	48	58	64	77	112	117	134
Condenser Fan Motor	Full load amps	1.0	1.0	1.1	1.1	1.7	1.7	1.8
	Locked rotor amps	1.9	1.9	2.1	2.1	3.1	3.1	2.9

OPTIONAL ACCESSORIES - MUST BE ORDERED EXTRA

Compressor Crankcase Heater	93M04	•	•	•	•			
	93M06					•	Factory	Factory
Compressor Hard Start Kit	10J42	•						
	88M91		•	•	•	•	•	•
Compressor Low Ambient Cut-Off	45F08	•	•	•	•	•	•	•
Compressor Time-Off Control	47J27	•	•	•	•	•	•	•
Freezestat	3/8 in. tubing	93G35	•	•	•	•	•	•
	5/8 in. tubing	50A93	•	•	•	•	•	•
Indoor Blower Off Delay Relay	58M81	•	•	•	•	•	•	•
Loss of Charge Switch Kit	84M23	•	•	•	•	•	•	•
Low Ambient Kit	34M72	•	•	•	•	•	•	•
Refrigerant Line Sets	L15-41-20, L15-41-30, L15-41-40, L15-41-50	•	•	•				
	L15-65-30, L15-65-40, L15-65-50				•	•	•	
	Field Fabricate							•

NOTE — Extremes of operating range are plus 10% and minus 5% of line voltage.

¹ Refrigerant charge sufficient for 15 ft. length of refrigerant lines.

² HACR type circuit breaker or fuse.

³ Refer to National or Canadian Electrical Code manual to determine wire, fuse and disconnect size requirements.

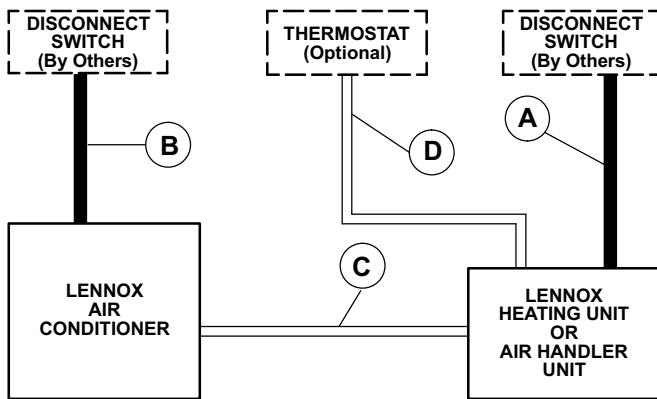
OUTDOOR SOUND DATA

1 Unit Model No.	Octave Band Sound Power Levels dBA, re 10 ⁻¹² Watts Center Frequency - HZ							1 Sound Rating Number (dB)
	125	250	500	1000	2000	4000	8000	
XC14-018	52.0	59.5	64.5	65.5	60.5	54.5	45.5	71
XC14-024	55.0	60.0	66.0	66.0	62.5	57.5	47.5	71
XC14-030	55.0	62.0	65.5	66.5	60.0	52.5	45.0	71
XC14-036	53.0	61.0	64.5	65.0	59.5	53.5	48.5	70
XC14-042	58.5	64.0	68.5	68.5	63.5	56.5	50.5	73
XC14-048	56.5	62.0	68.0	68.5	63.5	56.5	49.5	73
XC14-060	59.5	62.5	67.5	66.0	63.0	57.5	51.5	73

NOTE - the octave sound power data does not include tonal correction.

¹ Tested according to ARI Standard 270-95 test conditions.

FIELD WIRING



A — Two Wire Power

B — Two Wire Power — See Electrical Data

C — Two Wire Low Voltage — 18 ga. minimum

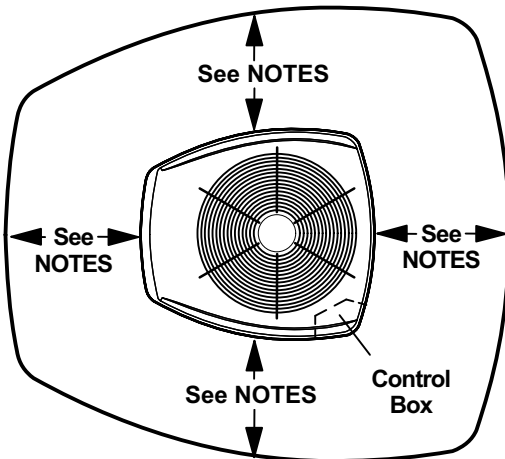
D — Four Wire Low Voltage (Electro-Mechanical) 18 ga. minimum

Five Wire Low Voltage (Electronic) 18 ga. minimum

NOTE — Field Wiring Not Furnished

All wiring must conform to NEC or CEC and local electrical codes.

INSTALLATION CLEARANCES - INCHES (MM)



NOTES:

Service clearance of 30 in. (762 mm) must be maintained on one of the sides adjacent to the control box.

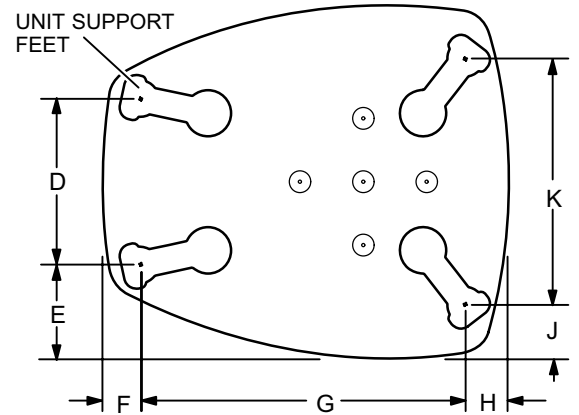
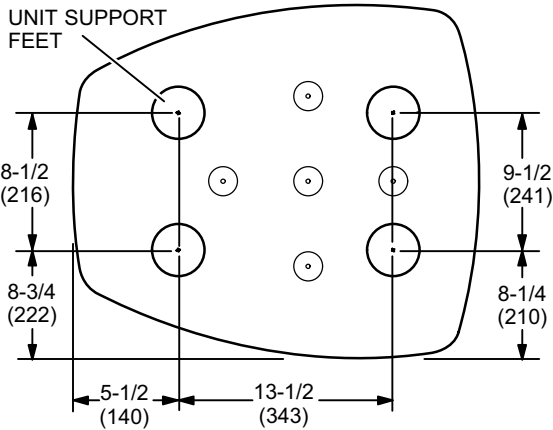
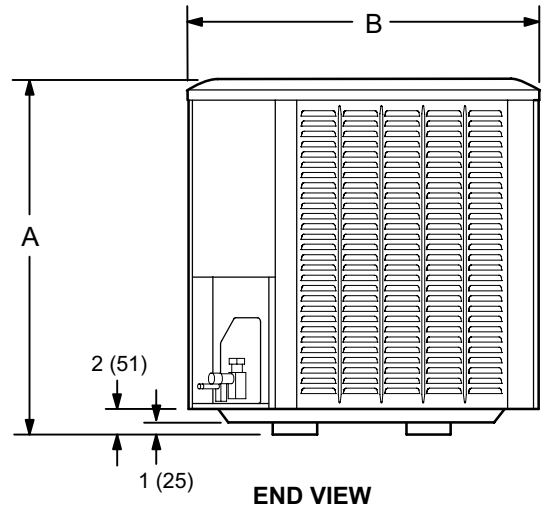
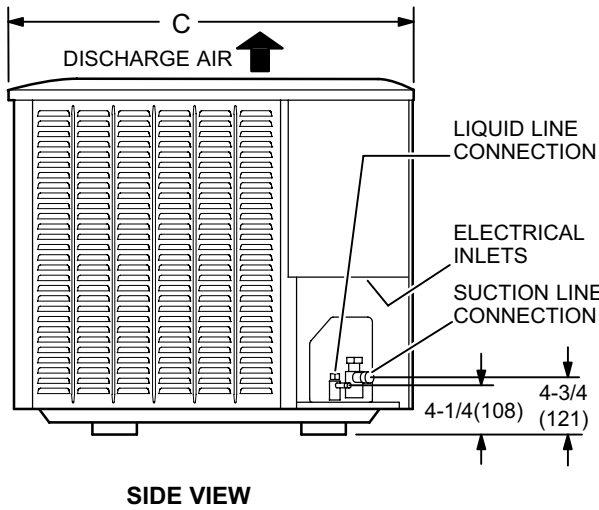
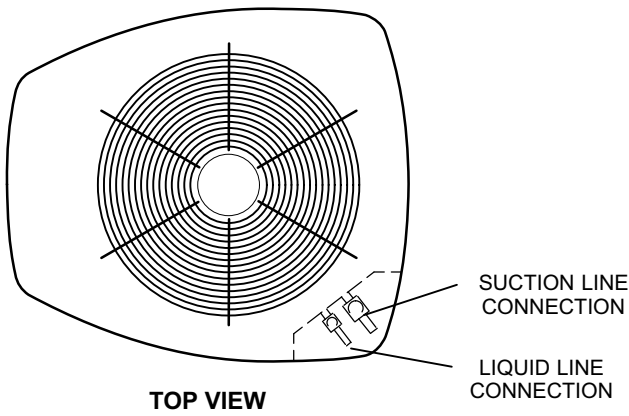
Clearance to one of the other three sides must be 36 in. (914 mm)

Clearance to one of the remaining two sides may be 12 in. (305 mm) and the final side may be 6 in. (152 mm).

A clearance of 24 in. (610 mm) must be maintained between two units.

48 in. (1219 mm) clearance required on top of unit.

DIMENSIONS - INCHES (MM)



Model No.	A		B		C		D		E		F		G		H		J		K	
	in.	mm	in.	mm	in.	mm	in.	mm	in.	mm	in.	mm	in.	mm	in.	mm	in.	mm	in.	mm
XC14-018 XC14-024	31	787	27	686	28	711	---	---	---	---	---	---	---	---	---	---	---	---	---	---
XC14-030 XC14-036 XC14-042	31	787	30-1/2	775	35	889	13-7/8	352	7-3/4	197	3-1/4	83	27-1/8	689	3-5/8	92	4-1/2	114	20-5/8	524
XC14-048	39	991	30-1/2	775	35	889	13-7/8	352	7-3/4	197	3-1/4	83	27-1/8	689	3-5/8	92	4-1/2	114	20-5/8	524
XC14-060	35	889	35-1/2	902	39-1/2	1003	16-7/8	429	8-3/4	222	3-1/8	79	30-3/4	781	4-5/8	117	3-3/4	95	26-7/8	683

ARI RATINGS - INDOOR COIL / AIR HANDLER SUBSTITUTION

Substituting Coils in the ARI Tables

Most R-22 and R-410A indoor coils and air handlers are the same except for the factory installed expansion device. C33 coils can be used in place of the CX34 coils, CB26UH, CB27UH, CB30M and CB31MV air handlers can be used in place of the CBX26UH, CBX27UH, CBX32M and CBX32MV, respectively.

The expansion device is based on the size of the outdoor unit. The factory installed RFC or TXV on the C33/CB26UH/CB27UH/CB30M/CB31MV must be replaced to correspond to the outdoor unit. The correct TXV's are:

1.5-2.5 ton air conditioners	37L51
3-3.5 ton air conditioners	39L72
4-5 ton air conditioners	91M02

Example:

A four-ton air conditioner is being installed. The ARI table shows that CBX32MV-048 is a matching air handler. A CB31MV-51 with a 91M02 TXV can be used in its place.

UP-FLOW COILS

	R-410A	R-22
CX34-18/24A-6F	=	C33-24A-2
CX34-18/24B-6F	=	C33-24B-2
CX34-18/24C-6F	=	C33-24C-2
CX34-19A-6F	=	C33-19A-2
CX34-25A-6F	=	C33-25A-2
CX34-25B-6F	=	C33-25B-2
CX34-30A-6F	=	C33-30A-2
CX34-30B-6F	=	C33-30B-2
CX34-30C-6F	=	C33-30C-2
CX34-31A-6F	=	C33-31A-2
CX34-31B-6F	=	C33-31B-2
CX34-36A-6F	=	C33-36A-2
CX34-36B-6F	=	C33-36B-2
CX34-36C-6F	=	C33-36C-2
CX34-38A-6F	=	C33-38A-2
CX34-38B-6F	=	C33-38B-2
CX34-42B-6F	=	C33-42B-2
CX34-43B-6F	=	C33-43B-2
CX34-43C-6F	=	C33-43C-2
no equivalent		C33-44C-2
CX34-44/48B-6F	=	C33-48B-2
CX34-44/48C-6F	=	C33-48C-2
CX34-49C-6F	=	C33-49C-2
CX34-50/60C-6F	=	C33-50/60C-2
CX34-60D-6F	=	C33-60D-2
CX34-62C-6F	=	C33-62C-2
CX34-62D-6F	=	C33-62D-2

AIR HANDLERS

	R-410A	R-22
CBX26UH-018	=	CB26UH-018
CBX26UH-024	=	CB26UH-024
CBX26UH-030	=	CB26UH-030
CBX26UH-036	=	CB26UH-036
CBX26UH-042	=	CB26UH-042
CBX26UH-048	=	CB26UH-048
CBX26UH-060	=	CB26UH-060
CBX27UH-018/024	=	CB27UH-018/024
CBX27UH-030	=	CB27UH-030
CBX27UH-036	=	CB27UH-036
CBX27UH-042	=	CB27UH-042
CBX27UH-048	=	CB27UH-048
CBX27UH-060	=	CB27UH-060
CBX32M-018/024	=	CB30M-21/26
CBX32M-030	=	CB30M-31
CBX32M-036	=	CB30M-41
CBX32M-042	=	CB30M-46
CBX32M-048	=	CB30M-51
CBX32M-060	=	CB30M-65
CBX32MV-018/024		no equivalent
CBX32MV-024/030		no equivalent
CBX32MV-036	=	CB31MV-41
CBX32MV-048	=	CB31MV-51
CBX32MV-060	=	CB31MV-65
CBX32MV-068		no equivalent

ARI RATINGS

1 ARI Standard 210/240 Ratings					Indoor Unit Model No.	Expansion Device
Cooling Capacity Btuh	Efficiency		Total Unit Watts			
	SEER	EER				
XC14-018 WITH TXV					1.5 TON	
Up-Flow Indoor Coils				Up-Flow Coils		
17,700	13.50	11.50	1540	3 CX34-18/24A/B/C-6F	Factory TXV	
18,000	13.70	11.70	1540	3 CX34-30A/B/C-6F	Factory TXV	
18,200	14.00	11.70	1545	3 CX34-19A-6F	Factory TXV	
18,500	14.20	12.00	1545	3,5 CX34-25A/B-6F	Factory TXV	
18,700	14.20	12.00	1545	3 CX34-31A/B-6F	Factory TXV	
Down-Flow Indoor Coils				Down-Flow Coils		
18,000	13.70	11.70	1540	3 CR33-18A-F	2 37L51	
18,300	14.00	11.70	1545	3 CR33-24A/B-F	2 37L51	
18,700	14.20	12.00	1545	3 CR33-30/36A/B/C-F	2 37L51	
Horizontal Indoor Coils				Horizontal Coils		
17,000	13.00	11.00	1540	3 CH33-18A-2F	2 37L51	
18,100	13.70	11.70	1540	3 CH33-19A-2F	2 37L51	
18,100	13.70	11.70	1545	3 CH33-24/30A-2F	2 37L51	
18,400	14.20	11.70	1545	3 CH33-36A/B-2F	2 37L51	
18,400	14.20	12.00	1540	3 CH33-25B-2F	2 37L51	
18,600	14.20	12.00	1545	3 CH33-25A-2F	2 37L51	
Air Handlers				Air Handlers		
18,400	14.20	11.70	1540	3 CBX32M-018/024 (Multi-Postition)	Factory TXV	
18,400	14.20	11.70	1540	3 CB30U-21/26 (Up-Flow)	2 37L51	
18,400	14.50	12.20	1505	CBX26UH-018 (Up-Flow / Horizontal)	Factory TXV	
18,500	14.00	11.70	1560	3 CB30U-31 (Up-Flow)	2 37L51	
18,700	15.20	12.70	1460	4 CBX32MV-018/024 (Multi-Postition)	Factory TXV	
18,700	16.00	13.20	1400	CBX26UH-024 (Up-Flow / Horizontal)	Factory TXV	
18,800	15.50	12.70	1455	4 CBX32MV-024/030 (Multi-Postition)	Factory TXV	
19,000	16.20	13.50	1405	4 CBX27UH-018 (Up-Flow / Horizontal)	Factory TXV	
19,100	15.00	12.50	1515	3 CBX32M-030 (Multi-Postition)	Factory TXV	
XC14-018 WITH RFC					1.5 TON	
Up-Flow Indoor Coils				Up-Flow Coils		
18,100	13.20	11.70	1540	3 C33-19A	2 0.053 (97M74)	
18,300	13.50	11.70	1540	3 C33-25A/B	2 0.053 (97M74)	
18,500	13.70	12.00	1540	3 C33-31A/B	2 0.053 (97M74)	
Down-Flow Indoor Coils				Down-Flow Coils		
17,800	13.00	11.50	1535	3 CR33-18A-F	2 0.053 (97M74)	
18,200	13.20	11.70	1540	3 CR33-24A/B-F	2 0.053 (97M74)	
18,400	13.70	11.70	1540	3 CR33-30/36A/B/C-F	2 0.053 (97M74)	
Horizontal Indoor Coils				Horizontal Coils		
18,000	13.00	11.70	1540	3 CH33-19A-2F	2 0.053 (97M74)	
18,000	13.00	11.70	1540	3 CH33-24/30A-2F	2 0.053 (97M74)	
18,200	13.20	11.70	1540	3 CH33-25B-2F	2 0.053 (97M74)	
18,200	13.50	11.70	1540	3 CH33-36A/B-2F	2 0.053 (97M74)	
18,300	13.50	11.70	1540	3 CH33-25A-2F	2 0.053 (97M74)	

¹ Certified in accordance with USE certification program which is based on ARI Standard 210/240; 95°F outdoor air temperature, 80°F db / 67°F wb entering evaporator air with 25 ft. of connecting refrigerant lines.

² Factory installed RFC or expansion valve on indoor unit MUST be replaced with expansion valve kit (ordered separately) or RFC (shipped with air conditioner) shown.

³ Blower must be capable of time-off blower delay. Indoor Blower Off Delay Relay (58M81) is recommended for field installation.

⁴ Blower control must be set for a time-off blower delay.

⁵ Most popular indoor coil.

ARI RATINGS

¹ ARI Standard 210/240 Ratings

Cooling Capacity Btuh	Efficiency		Total Unit Watts	Indoor Unit Model No.	Expansion Device
	SEER	EER			
XC14-024 WITH TXV					2 TON
Up-Flow Indoor Coils				Up-Flow Coils	
22,600	14.20	11.20	2000	³ CX34-18/24A/B/C-6F	Factory TXV
23,000	13.50	11.50	2000	³ CX34-30A/B/C-6F	Factory TXV
23,400	13.70	11.70	2000	³ CX34-19A-6F	Factory TXV
23,600	13.70	11.70	2000	³ CX34-36A/B/C-6F	Factory TXV
23,800	14.00	11.70	2005	³ CX34-25A/B-6F	Factory TXV
24,000	14.00	12.00	2005	^{3, 5} CX34-31A/B-6F	Factory TXV
24,200	14.20	12.00	2005	³ CX34-38A/B-6F	Factory TXV
Up-Flow Indoor Coils + Furnace				Up-Flow Coils + Furnace	
23,200	14.70	12.50	1855	CX34-18/24A-6F	⁴ G60UHV-36A-070 Factory TXV
23,200	14.70	12.50	1855	CX34-18/24B-6F	⁴ G61MPV-36B-070 Factory TXV
23,200	14.70	12.20	1865	CX34-18/24B-6F	⁴ G61MPV-36B-045 Factory TXV
23,200	15.00	12.70	1830	CX34-18/24B-6F	⁴ G60UHV-36B-090 Factory TXV
23,600	15.00	12.50	1870	CX34-30B-6F	⁴ G61MPV-36B-045 Factory TXV
23,600	15.00	12.70	1860	CX34-30A-6F	⁴ G60UHV-36A-070 Factory TXV
23,600	15.00	12.70	1860	CX34-30B-6F	⁴ G61MPV-36B-070 Factory TXV
23,600	15.20	12.70	1835	CX34-30B-6F	⁴ G60UHV-36B-090 Factory TXV
24,000	15.50	13.00	1840	CX34-19A-6F	⁴ G60UHV-36A-070 Factory TXV
24,200	15.50	13.00	1860	CX34-25A-6F	⁴ G60UHV-36A-070 Factory TXV
24,200	15.70	13.00	1840	CX34-36A-6F	⁴ G60UHV-36A-070 Factory TXV
24,200	15.70	13.00	1845	CX34-36B-6F	⁴ G61MPV-36B-045 Factory TXV
24,200	15.70	13.20	1835	CX34-36B-6F	⁴ G61MPV-36B-070 Factory TXV
24,200	16.00	13.20	1815	CX34-36B-6F	⁴ G60UHV-36B-090 Factory TXV
24,400	15.70	13.20	1845	CX34-25B-6F	⁴ G61MPV-36B-045 Factory TXV
24,400	15.70	13.20	1835	CX34-25B-6F	⁴ G61MPV-36B-070 Factory TXV
24,400	15.70	13.20	1840	CX34-38A-6F	⁴ G60UHV-36A-070 Factory TXV
24,400	16.00	13.20	1815	CX34-25B-6F	⁴ G60UHV-36B-090 Factory TXV
24,400	16.00	13.20	1835	CX34-38B-6F	⁴ G61MPV-36B-070 Factory TXV
24,600	15.70	13.20	1845	CX34-38B-6F	⁴ G61MPV-36B-045 Factory TXV
24,600	16.00	13.20	1845	CX34-31A-6F	⁴ G60UHV-36A-070 Factory TXV
24,600	16.00	13.20	1840	CX34-31B-6F	⁴ G61MPV-36B-070 Factory TXV
24,600	16.20	13.50	1815	CX34-38B-6F	⁴ G60UHV-36B-090 Factory TXV
24,800	16.00	13.20	1850	CX34-31B-6F	⁴ G61MPV-36B-045 Factory TXV
24,800	16.20	13.50	1820	CX34-31B-6F	⁴ G60UHV-36B-090 Factory TXV
Down-Flow Indoor Coils				Down-Flow Coils	
23,400	13.70	11.50	2005	³ CR33-24A/B-F	² 37L51
23,800	14.00	11.70	2005	³ CR33-30/36A/B/C-F	² 37L51
Down-Flow Indoor Coils + Furnace				Down-Flow Coils + Furnace	
24,000	15.20	12.70	1870	CR33-24B-F	⁴ G61MPV-36B-045 ² 37L51
24,000	15.20	12.70	1860	CR33-24B-F	⁴ G61MPV-36B-070 ² 37L51
24,600	15.70	13.20	1850	CR33-30/36B-F	⁴ G61MPV-36B-045 ² 37L51
24,600	16.00	13.20	1840	CR33-30/36B-F	⁴ G61MPV-36B-070 ² 37L51
24,800	15.70	13.00	1885	CR33-30/36B-F	⁴ G60DFV-36B-090 ² 37L51

¹ Certified in accordance with USE certification program which is based on ARI Standard 210/240; 95°F outdoor air temperature, 80°F db / 67°F wb entering evaporator air with 25 ft. of connecting refrigerant lines.

² Factory installed RFC or expansion valve on indoor unit MUST be replaced with expansion valve kit (ordered separately) or RFC (shipped with air conditioner) shown.

³ Blower must be capable of time-off blower delay. Indoor Blower Off Delay Relay (58M81) is recommended for field installation.

⁴ Blower control must be set for a time-off blower delay.

⁵ Most popular indoor coil.

ARI RATINGS

1 ARI Standard 210/240 Ratings					Indoor Unit Model No.	Expansion Device
Cooling Capacity Btuh	Efficiency		Total Unit Watts			
	SEER	EER				
XC14-024 WITH TXV					2 TON	
Horizontal Indoor Coils				Horizontal Coils		
22,400	13.20	11.20	1995	3 CH23-31		2 37L51
23,200	13.70	11.50	2000	3 CH33-19A-2F		2 37L51
23,200	13.70	11.50	2000	3 CH33-24/30A-2F		2 37L51
23,600	13.70	11.70	2000	3 CH33-36A/B/C-2F		2 37L51
23,600	14.00	11.70	2000	3 CH33-25B-2F		2 37L51
23,600	14.00	11.70	2000	3 CH23-41		2 37L51
23,800	14.00	11.70	2000	3 CH33-25A-2F		2 37L51
24,200	14.20	12.00	2005	3 CH33-31A/B-2F		2 37L51
Horizontal Indoor Coils + Furnace				Horizontal + Furnace		
23,600	15.20	12.70	1860	CH33-24/30A-2F	4 G60UHV-36A-070	2 37L51
23,800	15.50	12.70	1840	CH33-19A-2F	4 G60UHV-36A-070	2 37L51
24,200	15.50	13.00	1860	CH33-36A-2F	4 G60UHV-36A-070	2 37L51
24,200	15.70	13.00	1845	CH33-25B-2F	4 G61MPV-36B-045	2 37L51
24,200	15.70	13.00	1845	CH33-36B-2F	4 G61MPV-36B-045	2 37L51
24,200	15.70	13.20	1835	CH33-25B-2F	4 G61MPV-36B-070	2 37L51
24,200	15.70	13.20	1835	CH33-36B-2F	4 G61MPV-36B-070	2 37L51
24,200	16.00	13.20	1815	CH33-25B-2F	4 G60UHV-36B-090	2 37L51
24,200	16.00	13.20	1815	CH33-36B-2F	4 G60UHV-36B-090	2 37L51
24,400	15.70	13.00	1860	CH33-25A-2F	4 G60UHV-36A-070	2 37L51
24,800	15.70	13.20	1865	CH33-31A-2F	4 G60UHV-36A-070	2 37L51
24,800	16.00	13.20	1850	CH33-31B-2F	4 G61MPV-36B-045	2 37L51
24,800	16.00	13.50	1840	CH33-31B-2F	4 G61MPV-36B-070	2 37L51
24,800	16.20	13.50	1820	CH33-31B-2F	4 G60UHV-36B-090	2 37L51
Air Handlers				Air Handlers		
23,600	14.20	11.70	1975	3 CBX32M-018/024 (Multi-Postition)		Factory TXV
23,800	14.50	12.20	1935	CBX26UH-024 (Up-Flow / Horizontal)		Factory TXV
24,200	14.70	12.50	1935	3 CBX32M-030 (Multi-Postition)		Factory TXV
24,200	15.00	12.50	1915	3 CB30U-31 (Up-Flow)		2 37L51
24,400	16.00	13.20	1830	4 CBX27UH-024 (Up-Flow / Horizontal)		Factory TXV
24,600	14.20	13.50	1805	4 CBX27UH-030 (Up-Flow / Horizontal)		Factory TXV
24,600	15.50	12.70	1910	4 CBX32MV-036 (Multi-Postition)		Factory TXV
25,400	15.20	12.70	1975	3 CBX32M-036 (Multi-Postition)		Factory TXV

¹ Certified in accordance with USE certification program which is based on ARI Standard 210/240; 95°F outdoor air temperature, 80°F db / 67°F wb entering evaporator air with 25 ft. of connecting refrigerant lines.

² Factory installed RFC or expansion valve on indoor unit MUST be replaced with expansion valve kit (ordered separately) or RFC (shipped with air conditioner) shown.

³ Blower must be capable of time-off blower delay. Indoor Blower Off Delay Relay (58M81) is recommended for field installation.

⁴ Blower control must be set for a time-off blower delay.

ARI RATINGS

¹ ARI Standard 210/240 Ratings

Cooling Capacity Btuh	Efficiency		Total Unit Watts	Indoor Unit Model No.	Expansion Device	
	SEER	EER				
XC14-024 WITH RFC					2 TON	
Up-Flow Indoor Coils				Up-Flow Coils		
23,200	13.00	11.50	2010	³ C33-30A/B/C	² 0.057 (97M75)	
23,400	13.50	11.50	2010	³ C33-19A	² 0.057 (97M75)	
23,600	13.70	11.70	2010	³ C33-36A/B/C	² 0.057 (97M75)	
23,800	13.70	11.70	2010	³ C33-25A/B	² 0.057 (97M75)	
24,200	14.00	12.00	2010	³ C33-31A/B	² 0.057 (97M75)	
24,200	14.20	12.00	2010	³ C33-38A/B	² 0.057 (97M75)	
Up-Flow Indoor Coils + Furnace				Up-Flow Coils + Furnace		
23,400	14.20	12.50	1865	C33-18A	⁴ G60UHV-36A-070	² 0.057 (97M75)
23,400	14.20	12.50	1875	C33-24B	⁴ G61MPV-36B-045	² 0.057 (97M75)
23,400	14.20	12.50	1865	C33-24B	⁴ G61MPV-36B-070	² 0.057 (97M75)
23,400	14.50	12.70	1840	C33-24B	⁴ G60UHV-36B-090	² 0.057 (97M75)
23,800	14.50	12.70	1865	C33-30A	⁴ G60UHV-36A-070	² 0.057 (97M75)
23,800	14.50	12.70	1875	C33-30B	⁴ G61MPV-36B-045	² 0.057 (97M75)
23,800	14.50	12.70	1865	C33-30B	⁴ G61MPV-36B-070	² 0.057 (97M75)
23,800	14.70	12.70	1840	C33-30B	⁴ G60UHV-36B-090	² 0.057 (97M75)
24,000	15.20	13.00	1845	C33-19A	⁴ G60UHV-36A-070	² 0.057 (97M75)
24,200	15.20	12.70	1870	C33-25A	⁴ G60UHV-36A-070	² 0.057 (97M75)
24,200	15.20	13.00	1850	C33-36A	⁴ G60UHV-36A-070	² 0.057 (97M75)
24,200	15.20	13.00	1850	C33-36B	⁴ G61MPV-36B-045	² 0.057 (97M75)
24,200	15.50	13.00	1845	C33-36B	⁴ G61MPV-36B-070	² 0.057 (97M75)
24,200	15.70	13.20	1825	C33-36B	⁴ G60UHV-36B-090	² 0.057 (97M75)
24,400	15.50	13.20	1850	C33-25B	⁴ G61MPV-36B-045	² 0.057 (97M75)
24,400	15.70	13.20	1820	C33-25B	⁴ G60UHV-36B-090	² 0.057 (97M75)
24,400	15.70	13.20	1840	C33-25B	⁴ G61MPV-36B-070	² 0.057 (97M75)
24,600	15.20	13.20	1855	C33-38B	⁴ G61MPV-36B-045	² 0.057 (97M75)
24,600	15.50	13.20	1850	C33-38A	⁴ G60UHV-36A-070	² 0.057 (97M75)
24,600	15.50	13.20	1845	C33-38B	⁴ G61MPV-36B-070	² 0.057 (97M75)
24,600	15.70	13.50	1825	C33-38B	⁴ G60UHV-36B-090	² 0.057 (97M75)
24,800	15.70	13.20	1850	C33-31A	⁴ G60UHV-36A-070	² 0.057 (97M75)
24,800	15.70	13.20	1855	C33-31B	⁴ G61MPV-36B-045	² 0.057 (97M75)
24,800	15.70	13.20	1845	C33-31B	⁴ G61MPV-36B-070	² 0.057 (97M75)
24,800	16.00	13.50	1825	C33-31B	⁴ G60UHV-36B-090	² 0.057 (97M75)
Down-Flow Indoor Coils				Down-Flow Coils		
23,600	13.50	11.70	2010	³ CR33-24A/B-F	² 0.057 (97M75)	
24,000	13.70	11.70	2010	³ CR33-30/36A/B/C-F	² 0.057 (97M75)	
Down-Flow Indoor Coils + Furnace				Down-Flow Coils + Furnace		
24,000	15.00	12.70	1870	CR33-24B-F	⁴ G61MPV-36B-070	² 0.057 (97M75)
24,200	14.70	12.70	1880	CR33-24B-F	⁴ G61MPV-36B-045	² 0.057 (97M75)
24,600	15.50	13.20	1855	CR33-30/36B-F	⁴ G61MPV-36B-045	² 0.057 (97M75)
24,600	15.70	13.20	1845	CR33-30/36B-F	⁴ G61MPV-36B-070	² 0.057 (97M75)
25,000	15.50	13.20	1890	CR33-30/36B-F	⁴ G60DFV-36B-090	² 0.057 (97M75)

¹ Certified in accordance with USE certification program which is based on ARI Standard 210/240; 95°F outdoor air temperature, 80°F db / 67°F wb entering evaporator air with 25 ft. of connecting refrigerant lines.

² Factory installed RFC or expansion valve on indoor unit MUST be replaced with expansion valve kit (ordered separately) or RFC (shipped with air conditioner) shown.

³ Blower must be capable of time-off blower delay. Indoor Blower Off Delay Relay (58M81) is recommended for field installation.

⁴ Blower control must be set for a time-off blower delay.

⁵ Most popular indoor coil.

ARI RATINGS

1 ARI Standard 210/240 Ratings						
Cooling Capacity Btuh	Efficiency		Total Unit Watts	Indoor Unit Model No.	Expansion Device	
	SEER	EER				
XC14-024 WITH RFC						2 TON
Horizontal Indoor Coils				Horizontal Coils		
23,200	13.20	11.50	2010	3 CH33-24/30A-2F	2 0.057 (97M75)	
23,400	13.20	11.50	2010	3 CH33-19A-2F	2 0.057 (97M75)	
23,600	13.70	11.70	2010	3 CH33-25B-2F	2 0.057 (97M75)	
23,600	13.70	11.70	2010	3 C33-36A/B/C-6F	2 0.057 (97M75)	
23,800	13.50	11.70	2010	3 CH23-41	2 0.057 (97M75)	
23,800	13.70	11.70	2010	3 CH33-25A-2F	2 0.057 (97M75)	
24,200	14.00	12.00	2015	3 CH33-31A-2F	2 0.057 (97M75)	
24,200	14.20	12.00	2010	3 CH33-31B-2F	2 0.057 (97M75)	
Horizontal Indoor Coils + Furnace				Horizontal + Furnace		
23,800	14.70	12.70	1865	CH33-24/30A-2F	4 G60UHV-36A-070	2 0.057 (97M75)
24,000	15.00	12.70	1850	CH33-19A-2F	4 G60UHV-36A-070	2 0.057 (97M75)
24,200	15.20	13.00	1865	CH33-36A-2F	4 G60UHV-36A-070	2 0.057 (97M75)
24,200	15.20	13.00	1850	CH33-36B-2F	4 G61MPV-36B-045	2 0.057 (97M75)
24,200	15.50	13.00	1840	CH33-36B-2F	4 G61MPV-36B-070	2 0.057 (97M75)
24,200	15.70	13.20	1820	CH33-36B-2F	4 G60UHV-36B-090	2 0.057 (97M75)
24,400	15.20	13.00	1870	CH33-25A-2F	4 G60UHV-36A-070	2 0.057 (97M75)
24,400	15.20	13.20	1850	CH33-25B-2F	4 G61MPV-36B-045	2 0.057 (97M75)
24,400	15.50	13.20	1840	CH33-25B-2F	4 G61MPV-36B-070	2 0.057 (97M75)
24,400	15.70	13.20	1820	CH33-25B-2F	4 G60UHV-36B-090	2 0.057 (97M75)
24,800	15.70	13.20	1870	CH33-31A-2F	4 G60UHV-36A-070	2 0.057 (97M75)
24,800	16.00	13.20	1845	CH33-31B-2F	4 G61MPV-36B-070	2 0.057 (97M75)
25,000	15.70	13.50	1855	CH33-31B-2F	4 G61MPV-36B-045	2 0.057 (97M75)
25,000	16.20	13.70	1825	CH33-31B-2F	4 G60UHV-36B-090	2 0.057 (97M75)
XC14-030 WITH TXV						2.5 TON
Up-Flow Indoor Coils				Up-Flow Coils		
26,800	13.50	11.20	2340	3 CX34-30A/B-6F	Factory TXV	
27,400	13.70	11.70	2340	3 CX34-36A/B/C-6F	Factory TXV	
27,400	13.70	11.70	2340	3 CX34-42B-6F	2 37L51	
27,600	14.00	11.70	2340	3 CX34-25A/B-6F	Factory TXV	
28,000	14.20	12.00	2335	3, 5 CX34-31A/B-6F	Factory TXV	
28,200	14.20	12.00	2335	3 CX34-38A/B-6F	Factory TXV	
28,400	14.20	12.00	2335	3 CX34-43B/C-6F	2 37L51	

¹ Certified in accordance with USE certification program which is based on ARI Standard 210/240; 95°F outdoor air temperature, 80°F db / 67°F wb entering evaporator air with 25 ft. of connecting refrigerant lines.

² Factory installed RFC or expansion valve on indoor unit MUST be replaced with expansion valve kit (ordered separately) or RFC (shipped with air conditioner) shown.

³ Blower must be capable of time-off blower delay. Indoor Blower Off Delay Relay (58M81) is recommended for field installation.

⁴ Blower control must be set for a time-off blower delay.

⁵ Most popular indoor coil.

ARI RATINGS

¹ ARI Standard 210/240 Ratings

Cooling Capacity Btuh	Efficiency		Total Unit Watts	Indoor Unit Model No.		Expansion Device
	SEER	EER				
XC14-030 WITH TXV						2.5 TON
Up-Flow Indoor Coils + Furnace				Up-Flow Coils + Furnace		
27,000	14.00	11.70	2280	CX34-30B-6F	⁴ G61MPV-36B-045	Factory TXV
27,200	14.50	12.20	2215	CX34-30B-6F	⁴ G61MPV-36B-070	Factory TXV
27,200	14.70	12.20	2200	CX34-30A-6F	⁴ G60UHV-36A-070	Factory TXV
27,200	15.00	12.50	2170	CX34-30B-6F	⁴ G60UHV-36B-090	Factory TXV
27,600	14.50	12.00	2280	CX34-25B-6F	⁴ G61MPV-36B-045	Factory TXV
27,600	14.50	12.20	2250	CX34-36B-6F	⁴ G61MPV-36B-045	Factory TXV
27,600	14.50	12.20	2250	CX34-42B-6F	⁴ G61MPV-36B-045	² 37L51
27,800	15.20	12.50	2200	CX34-25A-6F	⁴ G60UHV-36A-070	Factory TXV
27,800	15.20	12.50	2195	CX34-36B-6F	⁴ G61MPV-36B-070	Factory TXV
27,800	15.20	12.50	2195	CX34-42B-6F	⁴ G61MPV-36B-070	² 37L51
27,800	15.20	12.70	2180	CX34-36A-6F	⁴ G60UHV-36A-070	Factory TXV
28,000	15.00	12.50	2215	CX34-25B-6F	⁴ G61MPV-36B-070	Factory TXV
28,000	15.50	12.70	2170	CX34-25B-6F	⁴ G60UHV-36B-090	Factory TXV
28,000	15.50	13.00	2145	CX34-36B-6F	⁴ G60UHV-36B-090	Factory TXV
28,000	15.50	13.00	2145	CX34-42B-6F	⁴ G60UHV-36B-090	² 37L51
28,200	14.70	12.50	2250	CX34-38B-6F	⁴ G61MPV-36B-045	Factory TXV
28,200	15.00	12.50	2245	CX34-31B-6F	⁴ G61MPV-36B-045	Factory TXV
28,400	15.50	12.70	2195	CX34-31B-6F	⁴ G61MPV-36B-070	Factory TXV
28,400	15.50	12.70	2195	CX34-38B-6F	⁴ G61MPV-36B-070	Factory TXV
28,400	15.50	13.00	2180	CX34-38A-6F	⁴ G60UHV-36A-070	Factory TXV
28,400	15.70	13.00	2180	CX34-31A-6F	⁴ G60UHV-36A-070	Factory TXV
28,400	15.70	13.20	2145	CX34-38B-6F	⁴ G60UHV-36B-090	Factory TXV
28,600	15.20	12.70	2245	CX34-43B-6F	⁴ G61MPV-36B-045	² 37L51
28,600	16.00	13.20	2145	CX34-31B-6F	⁴ G60UHV-36B-090	Factory TXV
28,800	15.70	13.00	2190	CX34-43B-6F	⁴ G61MPV-36B-070	² 37L51
29,000	16.20	13.50	2140	CX34-43B-6F	⁴ G60UHV-36B-090	² 37L51
Down-Flow Indoor Coils				Down-Flow Coils		
27,200	13.70	11.50	2340	³ CR33-24A/B-F		² 37L51
27,800	14.00	11.70	2340	³ CR33-30/36A/B/C-F		² 37L51
Down-Flow Indoor Coils + Furnace				Down-Flow Coils + Furnace		
27,200	14.00	11.70	2305	CR33-24B-F	⁴ G61MPV-36B-045	² 37L51
27,400	14.50	12.20	2240	CR33-24B-F	⁴ G61MPV-36B-070	² 37L51
27,600	15.00	12.50	2185	CR33-24B-F	⁴ G60DFV-36B-090	² 37L51
28,000	14.70	12.20	2245	CR33-30/36B-F	⁴ G61MPV-36B-045	² 37L51
28,200	15.20	12.70	2190	CR33-30/36B-F	⁴ G61MPV-36B-070	² 37L51
28,200	15.50	12.70	2175	CR33-30/36B-F	⁴ G60DFV-36B-090	² 37L51

¹ Certified in accordance with USE certification program which is based on ARI Standard 210/240; 95°F outdoor air temperature, 80°F db / 67°F wb entering evaporator air with 25 ft. of connecting refrigerant lines.

² Factory installed RFC or expansion valve on indoor unit **MUST** be replaced with expansion valve kit (ordered separately) or RFC (shipped with air conditioner) shown.

³ Blower must be capable of time-off blower delay. Indoor Blower Off Delay Relay (**58M81**) is recommended for field installation.

⁴ Blower control must be set for a time-off blower delay.

ARI RATINGS

1 ARI Standard 210/240 Ratings					Indoor Unit Model No.	Expansion Device
Cooling Capacity Btuh	Efficiency		Total Unit Watts			
	SEER	EER				
XC14-030 WITH TXV					2.5 TON	
Horizontal Indoor Coils				Horizontal Coils		
27,000	13.50	11.50	2335	3 CH33-19A-2F	2 37L51	
27,400	13.70	11.70	2335	3 CH33-25B-2F	2 37L51	
27,400	13.70	11.70	2340	3 CH33-36A/B-2F	2 37L51	
27,600	14.00	11.70	2340	3 CH33-25A-2F	2 37L51	
28,000	14.20	12.00	2335	3 CH33-42B-2F	2 37L51	
28,200	14.20	12.00	2335	3 CH33-31A/B-2F	2 37L51	
Horizontal Indoor Coils + Furnace				Horizontal + Furnace		
27,200	14.70	12.20	2195	CH33-19A-2F	4 G60UHV-36A-070	2 37L51
27,600	14.50	12.20	2250	CH33-36B-2F	4 G61MPV-36B-045	2 37L51
27,600	14.70	12.20	2245	CH33-25B-2F	4 G61MPV-36B-045	2 37L51
27,800	15.00	12.50	2200	CH33-36A-2F	4 G60UHV-36A-070	2 37L51
27,800	15.00	12.50	2195	CH33-36B-2F	4 G61MPV-36B-070	2 37L51
27,800	15.50	12.70	2145	CH33-36B-2F	4 G60UHV-36B-090	2 37L51
28,000	15.20	12.70	2200	CH33-25A-2F	4 G60UHV-36A-070	2 37L51
28,000	15.20	12.70	2190	CH33-25B-2F	4 G61MPV-36B-070	2 37L51
28,000	15.50	13.00	2145	CH33-25B-2F	4 G60UHV-36B-090	2 37L51
28,200	15.00	12.50	2245	CH33-42B-2F	4 G61MPV-36B-045	2 37L51
28,400	15.00	12.50	2250	CH33-31B-2F	4 G61MPV-36B-045	2 37L51
28,400	15.50	12.70	2190	CH33-42B-2F	4 G61MPV-36B-070	2 37L51
28,600	15.50	13.00	2195	CH33-31A-2F	4 G60UHV-36A-070	2 37L51
28,600	15.70	13.00	2195	CH33-31B-2F	4 G61MPV-36B-070	2 37L51
28,600	16.00	13.20	2140	CH33-42B-2F	4 G60UHV-36B-090	2 37L51
28,800	16.00	13.20	2140	CH33-31B-2F	4 G60UHV-36B-090	2 37L51
Air Handlers				Air Handlers		
26,600	13.70	11.50	2290	3 CB30U-21/26 (Up-Flow)	2 37L51	
26,800	13.70	11.70	2290	3 CBX32M-018/024 (Multi-Postition)	Factory TXV	
27,800	14.50	12.20	2265	CBX26UH-030 (Up-Flow / Horizontal)	Factory TXV	
27,800	14.50	12.20	2280	3 CB30U-31 (Up-Flow)	2 37L51	
28,400	15.50	13.00	2175	4 CBX32MV-036 (Multi-Postition)	Factory TXV	
28,400	15.70	13.20	2145	4 CBX27UH-030 (Up-Flow / Horizontal)	Factory TXV	
28,400	16.00	13.20	2135	4 CBX27UH-036 (Up-Flow / Horizontal)	2 37L51	
29,200	15.20	12.70	2260	3 CBX32M-036 (Multi-Postition)	Factory TXV	
29,200	15.50	13.00	2240	3 CBX32M-030 (Multi-Postition)	Factory TXV	

¹ Certified in accordance with USE certification program which is based on ARI Standard 210/240; 95°F outdoor air temperature, 80°F db / 67°F wb entering evaporator air with 25 ft. of connecting refrigerant lines.

² Factory installed RFC or expansion valve on indoor unit MUST be replaced with expansion valve kit (ordered separately) or RFC (shipped with air conditioner) shown.

³ Blower must be capable of time-off blower delay. Indoor Blower Off Delay Relay (58M81) is recommended for field installation.

⁴ Blower control must be set for a time-off blower delay.

ARI RATINGS

¹ ARI Standard 210/240 Ratings

Cooling Capacity Btuh	Efficiency		Total Unit Watts	Indoor Unit Model No.	Expansion Device
	SEER	EER			
XC14-030 WITH RFC					2.5 TON
Up-Flow Indoor Coils				Up-Flow Coils	
27,000	13.00	11.50	2350	³ C33-30A/B	² 0.063 (97M76)
27,400	13.50	11.50	2350	³ C33-36A/B/C	² 0.063 (97M76)
27,400	13.50	11.50	2350	³ C33-42B	² 0.063 (97M76)
27,400	13.50	11.70	2345	³ C33-25A/B	² 0.063 (97M76)
28,000	13.70	11.70	2345	³ C33-31A/B	² 0.063 (97M76)
28,200	14.00	12.00	2345	³ C33-38A/B	² 0.063 (97M76)
28,400	14.00	12.00	2345	³ C33-43B/C	² 0.063 (97M76)
Up-Flow Indoor Coils + Furnace				Up-Flow Coils + Furnace	
27,200	13.50	11.70	2290	C33-30B	⁴ G61MPV-36B-045
27,400	14.00	12.20	2210	C33-30A	⁴ G60UHV-36A-070
27,400	14.00	12.20	2225	C33-30B	⁴ G61MPV-36B-070
27,600	14.00	12.00	2290	C33-25B	⁴ G61MPV-36B-045
27,600	14.20	12.20	2260	C33-36B	⁴ G61MPV-36B-045
27,600	14.20	12.20	2260	C33-42B	⁴ G61MPV-36B-045
27,600	14.20	12.50	2180	C33-30B	⁴ G60UHV-36B-090
27,800	14.70	12.50	2210	C33-25A	⁴ G60UHV-36A-070
27,800	14.70	12.50	2220	C33-25B	⁴ G61MPV-36B-070
27,800	14.70	12.50	2205	C33-36B	⁴ G61MPV-36B-070
27,800	14.70	12.50	2205	C33-42B	⁴ G61MPV-36B-070
27,800	14.70	12.70	2190	C33-36A	⁴ G60UHV-36A-070
27,800	15.00	12.70	2155	C33-36B	⁴ G60UHV-36B-090
27,800	15.00	12.70	2155	C33-42B	⁴ G60UHV-36B-090
28,000	15.00	12.70	2180	C33-25B	⁴ G60UHV-36B-090
28,200	14.20	12.50	2260	C33-38B	⁴ G61MPV-36B-045
28,400	14.50	12.50	2255	C33-31B	⁴ G61MPV-36B-045
28,400	14.70	12.70	2205	C33-38B	⁴ G61MPV-36B-070
28,400	15.00	12.70	2190	C33-38A	⁴ G60UHV-36A-070
28,600	14.70	12.70	2255	C33-43B	⁴ G61MPV-36B-045
28,600	15.00	13.00	2200	C33-31B	⁴ G61MPV-36B-070
28,600	15.20	13.00	2185	C33-31A	⁴ G60UHV-36A-070
28,600	15.20	13.20	2155	C33-38B	⁴ G60UHV-36B-090
28,600	15.50	13.20	2150	C33-31B	⁴ G60UHV-36B-090
28,800	15.20	13.00	2200	C33-43B	⁴ G61MPV-36B-070
28,800	15.70	13.20	2150	C33-43B	⁴ G60UHV-36B-090
Down-Flow Indoor Coils				Down-Flow Coils	
27,200	13.20	11.50	2350	³ CR33-24A/B-F	² 0.063 (97M76)
27,600	13.70	11.70	2345	³ CR33-30/36A/B/C-F	² 0.063 (97M76)

¹ Certified in accordance with USE certification program which is based on ARI Standard 210/240; 95°F outdoor air temperature, 80°F db / 67°F wb entering evaporator air with 25 ft. of connecting refrigerant lines.

² Factory installed RFC or expansion valve on indoor unit MUST be replaced with expansion valve kit (ordered separately) or RFC (shipped with air conditioner) shown.

³ Blower must be capable of time-off blower delay. Indoor Blower Off Delay Relay (58M81) is recommended for field installation.

⁴ Blower control must be set for a time-off blower delay.

ARI RATINGS

1 ARI Standard 210/240 Ratings						
Cooling Capacity Btuh	Efficiency		Total Unit Watts	Indoor Unit Model No.	Expansion Device	
	SEER	EER				
XC14-030 WITH RFC						2.5 TON
Down-Flow Indoor Coils + Furnace				Down-Flow Coils + Furnace		
27,400	13.50	11.70	2315	CR33-24B-F	⁴ G61MPV-36B-045	² 0.063 (97M76)
27,600	14.00	12.20	2250	CR33-24B-F	⁴ G61MPV-36B-070	² 0.063 (97M76)
27,600	14.50	12.50	2190	CR33-24B-F	⁴ G60DFV-36B-090	² 0.063 (97M76)
28,000	14.50	12.20	2255	CR33-30/36B-F	⁴ G61MPV-36B-045	² 0.063 (97M76)
28,000	15.00	12.70	2185	CR33-30/36B-F	⁴ G60DFV-36B-090	² 0.063 (97M76)
28,200	15.00	12.70	2200	CR33-30/36B-F	⁴ G61MPV-36B-070	² 0.063 (97M76)
Horizontal Indoor Coils				Horizontal Coils		
27,000	13.00	11.50	2350	³ CH33-19A-2F		² 0.063 (97M76)
27,400	13.50	11.70	2345	³ CH33-36A/B-2F		² 0.063 (97M76)
27,600	13.50	11.70	2345	³ CH33-25A/B-2F		² 0.063 (97M76)
28,000	13.70	11.70	2345	³ CH33-42B-2F		² 0.063 (97M76)
28,200	14.00	12.00	2345	³ CH33-31A/B-2F		² 0.063 (97M76)
Horizontal Indoor Coils + Furnace				Horizontal + Furnace		
27,400	14.20	12.20	2210	CH33-19A-2F	⁴ G60UHV-36A-070	² 0.063 (97M76)
27,600	14.20	12.20	2255	CH33-36B-2F	⁴ G61MPV-36B-045	² 0.063 (97M76)
27,800	14.20	12.20	2255	CH33-25B-2F	⁴ G61MPV-36B-045	² 0.063 (97M76)
27,800	14.50	12.50	2205	CH33-36A-2F	⁴ G60UHV-36A-070	² 0.063 (97M76)
27,800	14.70	12.50	2200	CH33-36B-2F	⁴ G61MPV-36B-070	² 0.063 (97M76)
28,000	14.70	12.70	2205	CH33-25A-2F	⁴ G60UHV-36A-070	² 0.063 (97M76)
28,000	14.70	12.70	2200	CH33-25B-2F	⁴ G61MPV-36B-070	² 0.063 (97M76)
28,000	15.00	13.00	2150	CH33-36B-2F	⁴ G60UHV-36B-090	² 0.063 (97M76)
28,000	15.20	13.00	2150	CH33-25B-2F	⁴ G60UHV-36B-090	² 0.063 (97M76)
28,200	14.50	12.50	2255	CH33-42B-2F	⁴ G61MPV-36B-045	² 0.063 (97M76)
28,400	14.70	12.50	2255	CH33-31B-2F	⁴ G61MPV-36B-045	² 0.063 (97M76)
28,400	15.00	12.70	2200	CH33-42B-2F	⁴ G61MPV-36B-070	² 0.063 (97M76)
28,400	15.20	12.70	2205	CH33-31A-2F	⁴ G60UHV-36A-070	² 0.063 (97M76)
28,600	15.20	13.00	2200	CH33-31B-2F	⁴ G61MPV-36B-070	² 0.063 (97M76)
28,600	15.50	13.20	2150	CH33-42B-2F	⁴ G60UHV-36B-090	² 0.063 (97M76)
28,800	15.70	13.20	2150	CH33-31B-2F	⁴ G60UHV-36B-090	² 0.063 (97M76)
XC14-036 WITH TXV						3 TON
Up-Flow Indoor Coils				Up-Flow Coils		
32,800	13.70	11.50	2830	³ CX34-36A/B-6F		² 39L72
32,800	13.70	11.50	2830	³ CX34-42B-6F		Factory TXV
33,400	14.00	12.00	2835	^{3, 5} CX34-38A/B-6F		² 39L72
33,600	14.00	11.70	2835	³ CX34-31B-6F		² 39L72
33,800	14.00	11.70	2835	³ CX34-44/48B/C-6F		Factory TXV
34,000	14.20	11.70	2840	³ CX34-50/60C-6F		² 39L72
34,400	14.20	12.00	2840	³ CX34-43B/C-6F		Factory TXV
34,600	14.20	12.00	2845	³ CX34-49C-6F		² 39L72

¹ Certified in accordance with USE certification program which is based on ARI Standard 210/240; 95°F outdoor air temperature, 80°F db / 67°F wb entering evaporator air with 25 ft. of connecting refrigerant lines.

² Factory installed RFC or expansion valve on indoor unit MUST be replaced with expansion valve kit (ordered separately) or RFC (shipped with air conditioner) shown.

³ Blower must be capable of time-off blower delay. Indoor Blower Off Delay Relay (58M81) is recommended for field installation.

⁴ Blower control must be set for a time-off blower delay.

⁵ Most popular indoor coil.

ARI RATINGS

¹ ARI Standard 210/240 Ratings

Cooling Capacity Btuh	Efficiency		Total Unit Watts	Indoor Unit Model No.		Expansion Device
	SEER	EER				
XC14-036 WITH TXV						3 TON
Up-Flow Indoor Coils + Furnace				Up-Flow Coils + Furnace		
33,000	14.50	12.20	2710	CX34-36B-6F	⁴ G61MPV-36B-045	² 39L72
33,000	14.50	12.20	2705	CX34-36B-6F	⁴ G61MPV-36B-070	² 39L72
33,000	14.50	12.20	2710	CX34-42B-6F	⁴ G61MPV-36B-045	Factory TXV
33,000	14.50	12.20	2705	CX34-42B-6F	⁴ G61MPV-36B-070	Factory TXV
33,200	14.20	12.00	2740	CX34-36A-6F	⁴ G60UHV-36A-070	² 39L72
33,400	15.00	12.50	2640	CX34-36B-6F	⁴ G60UHV-36B-090	² 39L72
33,400	15.00	12.50	2640	CX34-42B-6F	⁴ G60UHV-36B-090	Factory TXV
33,800	14.50	12.20	2745	CX34-38A-6F	⁴ G60UHV-36A-070	² 39L72
33,800	14.50	12.20	2750	CX34-31B-6F	⁴ G61MPV-36B-045	² 39L72
33,800	14.70	12.20	2715	CX34-38B-6F	⁴ G61MPV-36B-045	² 39L72
33,800	14.70	12.20	2710	CX34-38B-6F	⁴ G61MPV-36B-070	² 39L72
34,000	14.70	12.20	2745	CX34-31A-6F	⁴ G60UHV-36A-070	² 39L72
34,000	14.70	12.20	2745	CX34-31B-6F	⁴ G61MPV-36B-070	² 39L72
34,000	14.70	12.50	2720	CX34-44/48B-6F	⁴ G61MPV-36B-045	Factory TXV
34,000	14.70	12.50	2715	CX34-44/48B-6F	⁴ G61MPV-36B-070	Factory TXV
34,200	15.20	12.70	2650	CX34-38B-6F	⁴ G60UHV-36B-090	² 39L72
34,200	15.20	12.70	2685	CX34-31B-6F	⁴ G60UHV-36B-090	² 39L72
34,400	15.50	13.00	2650	CX34-44/48B-6F	⁴ G60UHV-36B-090	Factory TXV
34,600	15.00	12.70	2720	CX34-43B-6F	⁴ G61MPV-36B-045	Factory TXV
34,600	15.00	12.70	2715	CX34-43B-6F	⁴ G61MPV-36B-070	Factory TXV
34,600	15.20	12.70	2675	CX34-44/48C-6F	⁴ G61MPV-60C-090	Factory TXV
34,600	15.20	12.70	2675	CX34-44/48C-6F	⁴ G61MPV-60C-111	Factory TXV
34,600	15.50	12.70	2670	CX34-44/48C-6F	⁴ G61MPV-60C-110	Factory TXV
34,800	15.50	13.00	2650	CX34-44/48C-6F	⁴ G60UHV-60C-110	Factory TXV
34,800	15.5	13.00	2645	CX34-43C-6F	⁴ G61MPV-36C-090	Factory TXV
35,000	15.50	13.00	2680	CX34-50/60C-6F	⁴ G61MPV-60C-090	² 39L72
35,000	15.50	13.00	2675	CX34-50/60C-6F	⁴ G61MPV-60C-110	² 39L72
35,000	15.50	13.00	2680	CX34-50/60C-6F	⁴ G61MPV-60C-111	² 39L72
35,000	15.70	13.20	2655	CX34-43B-6F	⁴ G60UHV-36B-090	Factory TXV
35,200	15.50	13.00	2680	CX34-43C-6F	⁴ G61MPV-60C-090	Factory TXV
35,200	15.50	13.00	2680	CX34-43C-6F	⁴ G61MPV-60C-111	Factory TXV
35,200	15.5	13.00	2680	CX34-43C-6F	⁴ G61MPV-60C-090	Factory TXV
35,200	15.70	13.00	2675	CX34-43C-6F	⁴ G61MPV-60C-110	Factory TXV
35,200	15.70	13.20	2655	CX34-50/60C-6F	⁴ G60UHV-60C-110	² 39L72
35,400	15.70	13.20	2655	CX34-43C-6F	⁴ G60UHV-60C-110	Factory TXV
35,400	15.70	13.20	2680	CX34-49C-6F	⁴ G61MPV-60C-090	² 39L72
35,600	15.70	13.20	2675	CX34-49C-6F	⁴ G61MPV-60C-110	² 39L72
35,600	15.70	13.20	2680	CX34-49C-6F	⁴ G61MPV-60C-111	² 39L72
35,600	16.00	13.20	2655	CX34-49C-6F	⁴ G60UHV-60C-110	² 39L72
Down-Flow Indoor Coils				Down-Flow Coils		
32,800	13.70	11.50	2830	³ CR33-48B/C		² 39L72
33,200	13.70	11.70	2835	³ CR33-30/36B/C-F		² 39L72

¹ Certified in accordance with USE certification program which is based on ARI Standard 210/240; 95°F outdoor air temperature, 80°F db / 67°F wb entering evaporator air with 25 ft. of connecting refrigerant lines.

² **Factory installed RFC or expansion valve on indoor unit MUST be replaced with expansion valve kit (ordered separately) or RFC (shipped with air conditioner) shown.**

³ Blower must be capable of time-off blower delay. Indoor Blower Off Delay Relay (58M81) is recommended for field installation.

⁴ Blower control must be set for a time-off blower delay.

ARI RATINGS

1 ARI Standard 210/240 Ratings						
Cooling Capacity Btuh	Efficiency		Total Unit Watts	Indoor Unit Model No.	Expansion Device	
	SEER	EER				
XC14-036 WITH TXV						3 TON
Down-Flow Indoor Coils + Furnace				Down-Flow Coils + Furnace		
33,200	14.50	12.20	2710	CR33-48B-F	4 G61MPV-36B-045	2 39L72
33,200	14.50	12.20	2705	CR33-48B-F	4 G61MPV-36B-070	2 39L72
33,400	14.20	12.00	2745	CR33-30/36B-F	4 G61MPV-36B-045	2 39L72
33,400	14.50	12.20	2740	CR33-30/36B-F	4 G61MPV-36B-070	2 39L72
33,400	15.20	12.70	2625	CR33-48B-F	4 G60DFV-36B-090	2 39L72
33,600	15.00	12.50	2670	CR33-48C-F	4 G61MPV-60C-090	2 39L72
33,800	15.00	12.50	2670	CR33-48C-F	4 G61MPV-60C-111	2 39L72
33,800	15.00	12.70	2665	CR33-48C-F	4 G61MPV-60C-110	2 39L72
33,800	15.20	12.70	2630	CR33-30/36B-F	4 G60DFV-36B-090	2 39L72
34,000	15.00	12.50	2695	CR33-30/36C-F	4 G61MPV-60C-090	2 39L72
34,000	15.00	12.50	2690	CR33-30/36C-F	4 G61MPV-60C-110	2 39L72
34,000	15.00	12.50	2700	CR33-30/36C-F	4 G61MPV-60C-111	2 39L72
Horizontal Indoor Coils				Horizontal Coils		
32,800	13.70	11.50	2830	3 CH33-36B-2F		2 39L72
33,200	13.70	11.70	2835	3 CH33-36C-2F		2 39L72
33,200	13.70	11.70	2835	3 CH23-41		2 39L72
33,200	13.70	11.70	2835	3 CH23-51		2 39L72
34,000	14.00	12.00	2835	3 CH33-31B-2F		2 39L72
34,000	14.20	11.70	2840	3 CH33-44/48B-2F		2 39L72
34,200	14.20	12.00	2840	3 CH33-48C-2F		2 39L72
34,400	14.20	12.00	2840	3 CH33-43C-2F		2 39L72
35,000	14.50	12.20	2840	3 CH33-43B-2F		2 39L72
Horizontal Indoor Coils + Furnace				Horizontal + Furnace		
33,000	14.50	12.20	2710	CH33-36B-2F	4 G61MPV-36B-045	2 39L72
33,000	14.50	12.20	2705	CH33-36B-2F	4 G61MPV-36B-070	2 39L72
33,400	14.70	12.20	2685	CH23-41	4 G61MPV-36B-045	2 39L72
33,400	14.70	12.20	2680	CH23-41	4 G61MPV-36B-070	2 39L72
33,400	15.00	12.50	2640	CH33-36B-2F	4 G60UHV-36B-090	2 39L72
33,600	14.70	12.50	2690	CH23-51	4 G61MPV-36B-045	2 39L72
33,600	14.70	12.50	2685	CH23-51	4 G61MPV-36B-070	2 39L72
33,800	15.50	12.70	2615	CH23-41	4 G60UHV-36B-090	2 39L72
34,000	15.20	12.70	2675	CH33-36C-2F	4 G61MPV-60C-090	2 39L72
34,000	15.50	13.00	2610	CH23-51	4 G60UHV-36B-090	2 39L72
34,200	14.70	12.20	2750	CH33-31B-2F	4 G61MPV-36B-045	2 39L72
34,200	14.70	12.20	2745	CH33-31B-2F	4 G61MPV-36B-070	2 39L72
34,200	14.70	12.20	2750	CH33-44/48B-2F	4 G61MPV-36B-045	2 39L72
34,200	15.20	12.70	2650	CH33-36C-2F	4 G60UHV-60C-110	2 39L72
34,200	15.20	12.70	2670	CH33-36C-2F	4 G61MPV-60C-110	2 39L72
34,200	15.20	12.70	2675	CH33-36C-2F	4 G61MPV-60C-111	2 39L72
34,400	14.70	12.50	2745	CH33-44/48B-2F	4 G61MPV-36B-070	2 39L72
34,600	15.20	12.70	2685	CH33-31B-2F	4 G60UHV-36B-090	2 39L72
34,600	15.20	12.70	2685	CH33-44/48B-2F	4 G60UHV-36B-090	2 39L72
34,800	15.70	13.00	2645	CH33-43C-2F	4 G61MPV-36C-090	2 39L72

Horizontal Indoor Coils + Furnace

Continued on Next Page

¹ Certified in accordance with USE certification program which is based on ARI Standard 210/240; 95°F outdoor air temperature, 80°F db / 67°F wb entering evaporator air with 25 ft. of connecting refrigerant lines.

² Factory installed RFC or expansion valve on indoor unit MUST be replaced with expansion valve kit (ordered separately) or RFC (shipped with air conditioner) shown.

³ Blower must be capable of time-off blower delay. Indoor Blower Off Delay Relay (58M81) is recommended for field installation.

⁴ Blower control must be set for a time-off blower delay.

ARI RATINGS

¹ ARI Standard 210/240 Ratings

Cooling Capacity Btuh	Efficiency		Total Unit Watts	Indoor Unit Model No.	Expansion Device	
	SEER	EER				
XC14-036 WITH TXV					3 TON	
Horizontal Indoor Coils + Furnace				Continued from Previous Page		
35,000	15.00	12.70	2755	CH33-43B-2F	⁴ G61MPV-36B-045	² 39L72
35,000	15.00	12.70	2750	CH33-43B-2F	⁴ G61MPV-36B-070	² 39L72
35,000	15.50	13.00	2680	CH33-48C-2F	⁴ G61MPV-60C-090	² 39L72
35,000	15.50	13.00	2680	CH33-48C-2F	⁴ G61MPV-60C-111	² 39L72
35,000	15.70	13.00	2675	CH33-48C-2F	⁴ G61MPV-60C-110	² 39L72
35,200	15.70	13.00	2680	CH33-43C-2F	⁴ G61MPV-60C-090	² 39L72
35,200	15.70	13.00	2675	CH33-43C-2F	⁴ G61MPV-60C-110	² 39L72
35,200	15.70	13.00	2680	CH33-43C-2F	⁴ G61MPV-60C-111	² 39L72
35,200	15.70	13.00	2680	CH33-43C-2F	⁴ G61MPV-60C-090	² 39L72
35,200	15.70	13.20	2655	CH33-48C-2F	⁴ G60UHV-60C-110	² 39L72
35,400	15.70	13.00	2690	CH33-43B-2F	⁴ G60UHV-36B-090	² 39L72
35,400	15.70	13.20	2655	CH33-43C-2F	⁴ G60UHV-60C-110	² 39L72
Air Handlers				Air Handlers		
33,000	14.20	12.00	2725	³ CBX32M-030 (Multi-Postition)		² 39L72
33,200	13.70	11.70	2835	CBX26UH-042 (Up-Flow / Horizontal)		Factory TXV
33,200	14.50	12.20	2725	³ CB30U-31 (Up-Flow)		² 39L72
33,400	14.20	12.00	2760	CB26XUH-036 (Up-Flow / Horizontal)		Factory TXV
33,600	14.20	12.00	2765	³ CBX32M-036 (Multi-Postition)		² 39L72
33,600	14.20	12.00	2770	³ CBX32M-042 (Multi-Postition)		² 39L72
33,600	14.50	12.20	2750	³ CB30U-41/46 (Up-Flow)		² 39L72
34,000	14.70	12.20	2775	³ CB30U-51 (Up-Flow)		² 39L72
34,000	14.70	12.50	2705	⁴ CBX32MV-036 (Multi-Postition)		² 39L72
34,200	15.70	13.00	2615	⁴ CBX27UH-036 (Up-Flow / Horizontal)		Factory TXV
34,400	14.70	12.20	2785	³ CBX32M-048 (Multi-Postition)		² 39L72
35,000	15.70	13.20	2635	⁴ CBX32MV-048 (Multi-Postition)		² 39L72
XC14-036 WITH RFC					3 TON	
Up-Flow Indoor Coils				Up-Flow Coils		
32,200	13.20	11.50	2805	³ C33-36A/B		² 0.073 (11W02)
32,200	13.20	11.50	2805	³ C33-42B		² 0.073 (11W02)
33,200	13.70	11.70	2810	³ C33-31B		² 0.073 (11W02)
33,200	13.70	11.70	2810	³ C33-48B/C		² 0.073 (11W02)
33,400	13.70	11.70	2810	³ C33-38A/B		² 0.073 (11W02)
33,600	13.70	11.70	2810	³ C33-43B/C		² 0.073 (11W02)
33,600	13.70	11.70	2810	³ C33-50/60C		² 0.073 (11W02)
33,800	14.00	12.00	2815	³ C33-49C		² 0.073 (11W02)

¹ Certified in accordance with USE certification program which is based on ARI Standard 210/240; 95°F outdoor air temperature, 80°F db / 67°F wb entering evaporator air with 25 ft. of connecting refrigerant lines.

² Factory installed RFC or expansion valve on indoor unit MUST be replaced with expansion valve kit (ordered separately) or RFC (shipped with air conditioner) shown.

³ Blower must be capable of time-off blower delay. Indoor Blower Off Delay Relay (58M81) is recommended for field installation.

⁴ Blower control must be set for a time-off blower delay.

ARI RATINGS

1 ARI Standard 210/240 Ratings						
Cooling Capacity Btuh	Efficiency		Total Unit Watts	Indoor Unit Model No.	Expansion Device	
	SEER	EER				
XC14-036 WITH RFC					3 TON	
Up-Flow Indoor Coils + Furnace				Up-Flow Coils + Furnace		
32,400	14.00	12.00	2685	C33-36B	4 G61MPV-36B-045	2 0.073 (11W02)
32,400	14.00	12.00	2685	C33-42B	4 G61MPV-36B-045	2 0.073 (11W02)
32,600	14.20	12.00	2680	C33-36B	4 G61MPV-36B-070	2 0.073 (11W02)
32,600	14.20	12.00	2680	C33-42B	4 G61MPV-36B-070	2 0.073 (11W02)
33,000	14.70	12.50	2615	C33-36B	4 G60UHV-36B-090	2 0.073 (11W02)
33,000	14.70	12.50	2615	C33-42B	4 G60UHV-36B-090	2 0.073 (11W02)
33,400	14.20	12.20	2690	C33-38B	4 G61MPV-36B-045	2 0.073 (11W02)
33,400	14.20	12.20	2685	C33-38B	4 G61MPV-36B-070	2 0.073 (11W02)
33,400	14.20	12.20	2720	C33-31B	4 G61MPV-36B-045	2 0.073 (11W02)
33,400	14.20	12.20	2715	C33-31B	4 G61MPV-36B-070	2 0.073 (11W02)
33,400	14.50	12.20	2690	C33-48B	4 G61MPV-36B-045	2 0.073 (11W02)
33,400	14.50	12.20	2685	C33-48B	4 G61MPV-36B-070	2 0.073 (11W02)
33,600	14.20	12.20	2715	C33-38A	4 G60UHV-36A-070	2 0.073 (11W02)
33,800	14.20	12.20	2720	C33-31A	4 G60UHV-36A-070	2 0.073 (11W02)
33,800	14.70	12.50	2695	C33-43B	4 G61MPV-36B-045	2 0.073 (11W02)
33,800	14.70	12.50	2690	C33-43B	4 G61MPV-36B-070	2 0.073 (11W02)
33,800	14.70	12.70	2660	C33-31B	4 G60UHV-36B-090	2 0.073 (11W02)
33,800	15.00	12.70	2620	C33-38B	4 G60UHV-36B-090	2 0.073 (11W02)
33,800	15.00	12.70	2620	C33-48B	4 G60UHV-36B-090	2 0.073 (11W02)
34,200	15.20	13.00	2625	C33-43B	4 G60UHV-36B-090	2 0.073 (11W02)
34,400	15.20	13.00	2650	C33-43C	4 G61MPV-60C-090	2 0.073 (11W02)
34,400	15.20	13.00	2650	C33-50/60C	4 G61MPV-60C-090	2 0.073 (11W02)
34,400	15.20	13.00	2645	C33-50/60C	4 G61MPV-60C-110	2 0.073 (11W02)
34,400	15.20	13.00	2650	C33-50/60C	4 G61MPV-60C-111	2 0.073 (11W02)
34,600	15.20	13.00	2645	C33-43C	4 G61MPV-60C-110	2 0.073 (11W02)
34,600	15.20	13.00	2650	C33-43C	4 G61MPV-60C-111	2 0.073 (11W02)
34,600	15.20	13.00	2650	C33-49C	4 G61MPV-60C-090	2 0.073 (11W02)
34,600	15.50	13.20	2625	C33-43C	4 G60UHV-60C-110	2 0.073 (11W02)
34,800	15.50	13.00	2650	C33-49C	4 G61MPV-60C-110	2 0.073 (11W02)
34,800	15.50	13.00	2655	C33-49C	4 G61MPV-60C-111	2 0.073 (11W02)
34,800	15.70	13.20	2630	C33-49C	4 G60UHV-60C-110	2 0.073 (11W02)
Down-Flow Indoor Coils				Down-Flow Coils		
32,600	13.50	11.50	2805	3 CR33-30/36B/C-F		2 0.073 (11W02)
33,000	13.20	11.70	2810	3 CR33-48B/C-F		2 0.073 (11W02)
Down-Flow Indoor Coils + Furnace				Down-Flow Coils + Furnace		
32,800	14.00	12.00	2720	CR33-30/36B-F	4 G61MPV-36B-045	2 0.073 (11W02)
32,800	14.20	12.00	2715	CR33-30/36B-F	4 G61MPV-36B-070	2 0.073 (11W02)
33,200	15.00	12.70	2600	CR33-30/36B-F	4 G60DFV-36B-090	2 0.073 (11W02)
33,400	14.00	12.20	2690	CR33-48B-F	4 G61MPV-36B-045	2 0.073 (11W02)
33,400	14.20	12.20	2685	CR33-48B-F	4 G61MPV-36B-070	2 0.073 (11W02)
33,600	14.70	12.70	2605	CR33-48B-F	4 G60DFV-36B-090	2 0.073 (11W02)

¹ Certified in accordance with USE certification program which is based on ARI Standard 210/240; 95°F outdoor air temperature, 80°F db / 67°F wb entering evaporator air with 25 ft. of connecting refrigerant lines.

² Factory installed RFC or expansion valve on indoor unit MUST be replaced with expansion valve kit (ordered separately) or RFC (shipped with air conditioner) shown.

³ Blower must be capable of time-off blower delay. Indoor Blower Off Delay Relay (58M81) is recommended for field installation.

⁴ Blower control must be set for a time-off blower delay.

ARI RATINGS

¹ ARI Standard 210/240 Ratings

Cooling Capacity Btuh	Efficiency		Total Unit Watts	Indoor Unit Model No.	Expansion Device	
	SEER	EER				
XC14-036 WITH RFC					3 TON	
Horizontal Indoor Coils				Horizontal Coils		
32,400	13.20	11.50	2805	³ CH33-36B-2F	² 0.073 (11W02)	
32,600	13.50	11.50	2805	³ CH33-36C-2F	² 0.073 (11W02)	
32,600	13.50	11.50	2810	³ CH23-41	² 0.073 (11W02)	
32,600	13.50	11.50	2810	³ CH23-51	² 0.073 (11W02)	
33,400	13.70	11.70	2810	³ CH33-31B-2F	² 0.073 (11W02)	
33,400	13.70	11.70	2810	³ CH33-44/48B-2F	² 0.073 (11W02)	
33,600	13.70	11.70	2815	³ CH33-48C-2F	² 0.073 (11W02)	
33,800	14.00	12.00	2815	³ CH33-43C-2F	² 0.073 (11W02)	
34,000	14.20	12.00	2815	³ CH33-43B-2F	² 0.073 (11W02)	
Horizontal Indoor Coils + Furnace				Horizontal + Furnace		
32,600	14.00	12.00	2685	CH33-36B-2F	⁴ G61MPV-36B-045	² 0.073 (11W02)
32,600	14.20	12.00	2680	CH33-36B-2F	⁴ G61MPV-36B-070	² 0.073 (11W02)
33,000	14.50	12.20	2660	CH23-41	⁴ G61MPV-36B-045	² 0.073 (11W02)
33,000	14.50	12.20	2655	CH23-41	⁴ G61MPV-36B-070	² 0.073 (11W02)
33,000	14.50	12.20	2660	CH23-51	⁴ G61MPV-36B-045	² 0.073 (11W02)
33,000	14.70	12.50	2620	CH33-36B-2F	⁴ G60UHV-36B-090	² 0.073 (11W02)
33,200	14.50	12.50	2655	CH23-51	⁴ G61MPV-36B-070	² 0.073 (11W02)
33,400	15.00	12.70	2585	CH23-41	⁴ G60UHV-36B-090	² 0.073 (11W02)
33,400	15.20	12.70	2585	CH23-51	⁴ G60UHV-36B-090	² 0.073 (11W02)
33,600	14.20	12.20	2725	CH33-31B-2F	⁴ G61MPV-36B-045	² 0.073 (11W02)
33,600	14.20	12.20	2720	CH33-31B-2F	⁴ G61MPV-36B-070	² 0.073 (11W02)
33,600	14.20	12.20	2720	CH33-44/48B-2F	⁴ G61MPV-36B-045	² 0.073 (11W02)
33,600	14.50	12.20	2720	CH33-44/48B-2F	⁴ G61MPV-36B-070	² 0.073 (11W02)
34,000	15.00	12.70	2660	CH33-31B-2F	⁴ G60UHV-36B-090	² 0.073 (11W02)
34,000	15.00	12.70	2660	CH33-44/48B-2F	⁴ G60UHV-36B-090	² 0.073 (11W02)
34,200	14.70	12.50	2725	CH33-43B-2F	⁴ G61MPV-36B-045	² 0.073 (11W02)
34,400	14.70	12.50	2720	CH33-43B-2F	⁴ G61MPV-36B-070	² 0.073 (11W02)
34,400	15.20	13.00	2650	CH33-48C-2F	⁴ G61MPV-60C-090	² 0.073 (11W02)
34,400	15.20	13.00	2645	CH33-48C-2F	⁴ G61MPV-60C-110	² 0.073 (11W02)
34,400	15.20	13.00	2650	CH33-48C-2F	⁴ G61MPV-60C-111	² 0.073 (11W02)
34,600	15.20	13.00	2660	CH33-43B-2F	⁴ G60UHV-36B-090	² 0.073 (11W02)
34,600	15.20	13.00	2650	CH33-43C-2F	⁴ G61MPV-60C-090	² 0.073 (11W02)
34,600	15.20	13.00	2645	CH33-43C-2F	⁴ G61MPV-60C-110	² 0.073 (11W02)
34,600	15.20	13.00	2650	CH33-43C-2F	⁴ G61MPV-60C-111	² 0.073 (11W02)
34,600	15.50	13.20	2625	CH33-43C-2F	⁴ G60UHV-60C-110	² 0.073 (11W02)
34,600	15.50	13.20	2625	CH33-48C-2F	⁴ G60UHV-60C-110	² 0.073 (11W02)

¹ Certified in accordance with USE certification program which is based on ARI Standard 210/240; 95°F outdoor air temperature, 80°F db / 67°F wb entering evaporator air with 25 ft. of connecting refrigerant lines.

² Factory installed RFC or expansion valve on indoor unit MUST be replaced with expansion valve kit (ordered separately) or RFC (shipped with air conditioner) shown.

³ Blower must be capable of time-off blower delay. Indoor Blower Off Delay Relay (58M81) is recommended for field installation.

⁴ Blower control must be set for a time-off blower delay.

ARI RATINGS

1 ARI Standard 210/240 Ratings					Indoor Unit Model No.	Expansion Device
Cooling Capacity Btuh	Efficiency		Total Unit Watts			
	SEER	EER				
XC14-042 WITH TXV					3.5 TON	
Up-Flow Indoor Coils				Up-Flow Coils		
39,000	13.00	11.20	3435	3 CX34-36B/C-6F	2 39L72	
39,000	13.00	11.20	3435	3 CX34-42B-6F	Factory TXV	
40,000	13.50	11.50	3440	3 CX34-38B-6F	2 39L72	
40,000	13.50	11.50	3445	3 CX34-44/48B/C-6F	Factory TXV	
40,500	13.70	11.70	3445	3 CX34-50/60C-6F	2 39L72	
41,000	13.70	11.70	3450	3 CX34-43B/C-6F	Factory TXV	
41,500	14.00	12.00	3450	3, 5 CX34-49C-6F	2 39L72	
42,000	14.20	12.00	3455	3 CX34-62C-6F	2 39L72	
Up-Flow Indoor Coils + Furnace				Up-Flow Coils + Furnace		
38,500	13.50	11.50	3320	CX34-42B-6F	4 G61MPV-36B-070	Factory TXV
39,000	14.00	12.00	3215	CX34-42B-6F	4 G60UHV-36B-090	Factory TXV
39,500	13.70	11.70	3330	CX34-36C-6F	4 G61MPV-60C-091	2 39L72
39,500	13.70	11.70	3325	CX34-38B-6F	4 G61MPV-36B-070	2 39L72
39,500	14.00	12.00	3275	CX34-36C-6F	4 G61MPV-60C-090	2 39L72
39,500	14.00	12.00	3270	CX34-36C-6F	4 G61MPV-60C-110	2 39L72
39,500	14.00	12.00	3275	CX34-36C-6F	4 G61MPV-60C-111	2 39L72
39,500	14.20	12.00	3255	CX34-36C-6F	4 G60UHV-60C-110	2 39L72
39,500	14.20	12.20	3210	CX34-36C-6F	4 G60UHV-60C-090	2 39L72
40,000	14.50	12.20	3220	CX34-38B-6F	4 G60UHV-36B-090	2 39L72
40,500	14.20	12.00	3330	CX34-43B-6F	4 G61MPV-36B-070	Factory TXV
40,500	14.50	12.20	3265	CX34-44/48C-6F	4 G60UHV-60C-110	Factory TXV
40,500	14.50	12.20	3280	CX34-44/48C-6F	4 G61MPV-60C-090	Factory TXV
40,500	14.50	12.20	3275	CX34-44/48C-6F	4 G61MPV-60C-110	Factory TXV
40,500	14.50	12.20	3285	CX34-44/48C-6F	4 G61MPV-60C-111	Factory TXV
40,500	14.70	12.50	3225	CX34-43B-6F	4 G60UHV-36B-090	Factory TXV
40,500	14.70	12.50	3220	CX34-44/48C-6F	4 G60UHV-60C-090	Factory TXV
41,000	14.20	12.20	3335	CX34-44/48B-6F	4 G61MPV-60C-091	Factory TXV
41,000	14.50	12.20	3290	CX34-50/60C-6F	4 G61MPV-60C-111	2 39L72
41,000	14.50	12.50	3280	CX34-50/60C-6F	4 G61MPV-60C-090	2 39L72
41,000	14.70	12.50	3265	CX34-50/60C-6F	4 G60UHV-60C-110	2 39L72
41,000	14.70	12.50	3280	CX34-50/60C-6F	4 G61MPV-60C-110	2 39L72
41,000	15.00	12.50	3280	CX34-49C-6F	4 G61MPV-60C-091	2 39L72
41,000	15.00	12.70	3220	CX34-50/60C-6F	4 G60UHV-60C-090	2 39L72
41,000	15.20	12.70	3225	CX34-49C-6F	4 G61MPV-60C-090	2 39L72
41,000	15.20	12.70	3215	CX34-49C-6F	4 G61MPV-60C-110	2 39L72
41,000	15.20	12.70	3225	CX34-49C-6F	4 G61MPV-60C-111	2 39L72
41,000	15.50	12.70	3200	CX34-49C-6F	4 G60UHV-60C-110	2 39L72
41,000	15.50	13.00	3155	CX34-49C-6F	4 G60UHV-60C-090	2 39L72
Up-Flow Indoor Coils + Furnace				Continued on Next Page		

¹ Certified in accordance with USE certification program which is based on ARI Standard 210/240; 95°F outdoor air temperature, 80°F db / 67°F wb entering evaporator air with 25 ft. of connecting refrigerant lines.

² Factory installed RFC or expansion valve on indoor unit MUST be replaced with expansion valve kit (ordered separately) or RFC (shipped with air conditioner) shown.

³ Blower must be capable of time-off blower delay. Indoor Blower Off Delay Relay (58M81) is recommended for field installation.

⁴ Blower control must be set for a time-off blower delay.

⁵ Most popular indoor coil.

ARI RATINGS

¹ ARI Standard 210/240 Ratings

Cooling Capacity Btuh	Efficiency		Total Unit Watts	Indoor Unit Model No.	Expansion Device
	SEER	EER			
XC14-042 WITH TXV					3.5 TON
Up-Flow Indoor Coils + Furnace				Continued from Previous Page	
41,500	14.20	12.20	3340	CX34-50/60C-6F ⁴ G61MPV-60C-091	² 39L72
41,500	14.50	12.50	3320	CX34-43C-6F ⁴ G61MPV-60C-091	Factory TXV
41,500	14.70	12.70	3260	CX34-43C-6F ⁴ G61MPV-60C-090	Factory TXV
41,500	14.70	12.70	3260	CX34-43C-6F ⁴ G61MPV-60C-111	Factory TXV
41,500	15.00	12.70	3235	CX34-43C-6F ⁴ G60UHV-60C-110	Factory TXV
41,500	15.00	12.70	3250	CX34-43C-6F ⁴ G61MPV-60C-110	Factory TXV
41,500	15.20	12.50	3285	CX34-62C-6F ⁴ G61MPV-60C-091	² 39L72
41,500	15.20	13.00	3195	CX34-43C-6F ⁴ G60UHV-60C-090	Factory TXV
41,500	15.50	12.50	3230	CX34-62C-6F ⁴ G61MPV-60C-111	² 39L72
41,500	15.50	12.70	3230	CX34-62C-6F ⁴ G61MPV-60C-090	² 39L72
41,500	15.50	12.70	3220	CX34-62C-6F ⁴ G61MPV-60C-110	² 39L72
41,500	15.70	12.70	3205	CX34-62C-6F ⁴ G60UHV-60C-110	² 39L72
41,500	15.70	13.00	3160	CX34-62C-6F ⁴ G60UHV-60C-090	² 39L72
Down-Flow Indoor Coils				Down-Flow Coils	
40,500	13.70	11.70	3445	³ CR33-50/60C-F	² 39L72
40,500	13.70	11.70	3445	³ CR33-60D-F	² 39L72
Down-Flow Indoor Coils + Furnace				Down-Flow Coils + Furnace	
41,000	14.50	12.20	3315	CR33-50/60C-F ⁴ G61MPV-60C-091	² 39L72
41,000	14.70	12.50	3255	CR33-50/60C-F ⁴ G61MPV-60C-090	² 39L72
41,000	14.70	12.50	3245	CR33-50/60C-F ⁴ G61MPV-60C-110	² 39L72
41,000	14.70	12.50	3255	CR33-50/60C-F ⁴ G61MPV-60C-111	² 39L72
41,000	15.00	12.70	3200	CR33-50/60C-F ⁴ G60DFV-60C-090	² 39L72
41,000	15.00	12.70	3215	CR33-60D-F ⁴ G61MPV-60D-135	² 39L72
41,500	15.00	12.70	3235	CR33-50/60C-F ⁴ G60DFV-60C-110	² 39L72
41,500	15.00	12.70	3220	CR33-60D-F ⁴ G60DFV-60D-135	² 39L72
Horizontal Indoor Coils				Horizontal Coils	
41,000	13.70	11.70	3450	³ CH33-43C-2F	² 39L72
41,000	13.70	11.70	3445	³ CH33-48C-2F	² 39L72
41,500	14.00	12.00	3450	³ CH33-49C-2F	² 39L72
41,500	14.00	12.00	3450	³ CH33-50/60C-2F	² 39L72
Horizontal Indoor Coils + Furnace				Horizontal + Furnace	
41,000	14.70	12.50	3285	CH33-48C-2F ⁴ G61MPV-60C-090	² 39L72
41,000	15.00	12.70	3220	CH33-48C-2F ⁴ G60UHV-60C-090	² 39L72
41,500	14.20	12.20	3340	CH33-48C-2F ⁴ G61MPV-60C-091	² 39L72
41,500	14.70	12.50	3320	CH33-43C-2F ⁴ G61MPV-60C-091	² 39L72
41,500	14.70	12.50	3280	CH33-48C-2F ⁴ G61MPV-60C-110	² 39L72
41,500	14.70	12.50	3290	CH33-48C-2F ⁴ G61MPV-60C-111	² 39L72
41,500	14.70	12.50	3290	CH33-50/60C-2F ⁴ G61MPV-60C-090	² 39L72
Horizontal Indoor Coils + Furnace				Continued on Next Page	

¹ Certified in accordance with USE certification program which is based on ARI Standard 210/240; 95°F outdoor air temperature, 80°F db / 67°F wb entering evaporator air with 25 ft. of connecting refrigerant lines.

² Factory installed RFC or expansion valve on indoor unit MUST be replaced with expansion valve kit (ordered separately) or RFC (shipped with air conditioner) shown.

³ Blower must be capable of time-off blower delay. Indoor Blower Off Delay Relay (58M81) is recommended for field installation.

⁴ Blower control must be set for a time-off blower delay.

⁵ Most popular indoor coil.

ARI RATINGS

1 ARI Standard 210/240 Ratings					Indoor Unit Model No.	Expansion Device
Cooling Capacity Btuh	Efficiency		Total Unit Watts			
	SEER	EER				
XC14-042 WITH TXV					3.5 TON	
Horizontal Indoor Coils + Furnace				Continued from Previous Page		
41,500	14.70	12.50	3290	CH33-50/60C-2F	4 G61MPV-60C-111	2 39L72
41,500	14.70	12.70	3260	CH33-43C-2F	4 G61MPV-60C-090	2 39L72
41,500	14.70	12.70	3265	CH33-43C-2F	4 G61MPV-60C-111	2 39L72
41,500	14.70	12.70	3265	CH33-48C-2F	4 G60UHV-60C-110	2 39L72
41,500	15.00	12.70	3230	CH33-43B-2F	4 G60UHV-36B-090	2 39L72
41,500	15.00	12.70	3235	CH33-43C-2F	4 G60UHV-60C-110	2 39L72
41,500	15.00	12.70	3255	CH33-43C-2F	4 G61MPV-60C-110	2 39L72
41,500	15.20	12.70	3225	CH33-50/60C-2F	4 G60UHV-60C-090	2 39L72
41,500	15.20	13.00	3195	CH33-43C-2F	4 G60UHV-60C-090	2 39L72
42,000	14.50	12.50	3345	CH33-50/60C-2F	4 G61MPV-60C-091	2 39L72
42,000	14.70	12.50	3345	CH33-49C-2F	4 G61MPV-60C-091	2 39L72
42,000	14.70	12.70	3285	CH33-49C-2F	4 G61MPV-60C-090	2 39L72
42,000	14.70	12.70	3295	CH33-49C-2F	4 G61MPV-60C-111	2 39L72
42,000	14.70	12.70	3280	CH33-50/60C-2F	4 G61MPV-60C-110	2 39L72
42,000	15.00	12.70	3270	CH33-49C-2F	4 G60UHV-60C-110	2 39L72
42,000	15.00	12.70	3285	CH33-49C-2F	4 G61MPV-60C-110	2 39L72
42,000	15.00	12.70	3265	CH33-50/60C-2F	4 G60UHV-60C-110	2 39L72
42,000	15.20	13.00	3225	CH33-49C-2F	4 G60UHV-60C-090	2 39L72
Air Handlers				Air Handlers		
40,000	13.70	11.70	3355	3 CBX32M-036 (Multi-Postition)		2 39L72
40,000	13.70	12.70	3355	CBX26UH-042 (Up-Flow / Horizontal)		Factory TXV
40,000	14.00	12.00	3340	3 CBX32M-042 (Multi-Postition)		2 39L72
40,500	13.70	11.70	3390	3 CB30U-51 (Up-Flow)		2 39L72
41,000	14.00	12.00	3420	3 CBX32M-048 (Multi-Postition)		2 39L72
41,500	14.70	12.50	3295	4 CBX32MV-048 (Multi-Postition)		2 39L72
41,500	15.00	12.70	3235	4 CBX27UH-048 (Up-Flow / Horizontal)		2 39L72
41,500	15.20	12.70	3225	4 CBX27UH-042 (Up-Flow / Horizontal)		Factory TXV
XC14-042 WITH RFC					3.5 TON	
39,000	13.00	11.20	3440	3 C33-36B/C		2 0.076 (97M78)
39,000	13.00	11.20	3440	3 C33-42B		2 0.076 (97M78)
40,000	13.20	11.50	3450	3 C33-38B		2 0.076 (97M78)
40,000	13.20	11.50	3450	3 C33-48B/C		2 0.076 (97M78)
40,500	13.50	11.70	3450	3 C33-50/60C		2 0.076 (97M78)
40,500	13.70	11.70	3455	3 C33-43B/C		2 0.076 (97M78)
41,000	13.70	11.70	3455	3 C33-49C		2 0.076 (97M78)
41,500	14.00	12.00	3460	3 C33-62C		2 0.076 (97M78)

¹ Certified in accordance with USE certification program which is based on ARI Standard 210/240; 95°F outdoor air temperature, 80°F db / 67°F wb entering evaporator air with 25 ft. of connecting refrigerant lines.

² Factory installed RFC or expansion valve on indoor unit MUST be replaced with expansion valve kit (ordered separately) or RFC (shipped with air conditioner) shown.

³ Blower must be capable of time-off blower delay. Indoor Blower Off Delay Relay (58M81) is recommended for field installation.

⁴ Blower control must be set for a time-off blower delay.

ARI RATINGS

¹ ARI Standard 210/240 Ratings

Cooling Capacity Btuh	Efficiency		Total Unit Watts	Indoor Unit Model No.		Expansion Device
	SEER	EER				
XC14-042 WITH RFC						3.5 TON
Up-Flow Indoor Coils + Furnace			Up-Flow Coils + Furnace			
38,500	13.20	11.50	3325	C33-42B	⁴ G61MPV-36B-070	² 0.076 (97M78)
38,500	14.00	11.70	3220	C33-42B	⁴ G60UHV-36B-090	² 0.076 (97M78)
39,000	13.70	11.70	3280	C33-36C	⁴ G61MPV-60C-090	² 0.076 (97M78)
39,000	14.20	12.00	3220	C33-36C	⁴ G60UHV-60C-090	² 0.076 (97M78)
39,500	13.70	11.70	3335	C33-36C	⁴ G61MPV-60C-091	² 0.076 (97M78)
39,500	13.70	12.00	3275	C33-36C	⁴ G61MPV-60C-110	² 0.076 (97M78)
39,500	13.70	12.00	3285	C33-36C	⁴ G61MPV-60C-111	² 0.076 (97M78)
39,500	14.00	12.00	3260	C33-36C	⁴ G60UHV-60C-110	² 0.076 (97M78)
40,000	13.70	12.00	3335	C33-38B	⁴ G61MPV-36B-070	² 0.076 (97M78)
40,000	14.20	12.20	3230	C33-38B	⁴ G60UHV-36B-090	² 0.076 (97M78)
40,500	14.00	12.00	3335	C33-43B	⁴ G61MPV-36B-070	² 0.076 (97M78)
40,500	14.00	12.00	3345	C33-48B	⁴ G61MPV-60C-091	² 0.076 (97M78)
40,500	14.20	12.20	3285	C33-48C	⁴ G61MPV-60C-090	² 0.076 (97M78)
40,500	14.20	12.20	3280	C33-48C	⁴ G61MPV-60C-110	² 0.076 (97M78)
40,500	14.20	12.20	3290	C33-48C	⁴ G61MPV-60C-111	² 0.076 (97M78)
40,500	14.50	12.20	3265	C33-48C	⁴ G60UHV-60C-110	² 0.076 (97M78)
40,500	14.50	12.50	3230	C33-43B	⁴ G60UHV-36B-090	² 0.076 (97M78)
40,500	14.50	12.50	3225	C33-44/48C	⁴ G60UHV-60C-090	² 0.076 (97M78)
40,500	14.70	12.20	3285	C33-49C	⁴ G61MPV-60C-091	² 0.076 (97M78)
40,500	15.00	12.50	3230	C33-49C	⁴ G61MPV-60C-090	² 0.076 (97M78)
40,500	15.20	12.50	3205	C33-49C	⁴ G60UHV-60C-110	² 0.076 (97M78)
40,500	15.20	12.50	3220	C33-49C	⁴ G61MPV-60C-110	² 0.076 (97M78)
40,500	15.20	12.50	3230	C33-49C	⁴ G61MPV-60C-111	² 0.076 (97M78)
40,500	15.50	12.70	3160	C33-49C	⁴ G60UHV-60C-090	² 0.076 (97M78)
41,000	14.20	12.20	3345	C33-50/60C	⁴ G61MPV-60C-091	² 0.076 (97M78)
41,000	14.50	12.20	3290	C33-50/60C	⁴ G61MPV-60C-090	² 0.076 (97M78)
41,000	14.50	12.20	3295	C33-50/60C	⁴ G61MPV-60C-111	² 0.076 (97M78)
41,000	14.50	12.50	3270	C33-50/60C	⁴ G60UHV-60C-110	² 0.076 (97M78)
41,000	14.50	12.50	3285	C33-50/60C	⁴ G61MPV-60C-110	² 0.076 (97M78)
41,000	14.70	12.50	3265	C33-43C	⁴ G61MPV-60C-090	² 0.076 (97M78)
41,000	14.70	12.70	3230	C33-50/60C	⁴ G60UHV-60C-090	² 0.076 (97M78)
41,000	15.00	12.20	3290	C33-62C	⁴ G61MPV-60C-091	² 0.076 (97M78)
41,000	15.00	12.70	3200	C33-43C	⁴ G60UHV-60C-090	² 0.076 (97M78)
41,000	15.20	12.70	3230	C33-62C	⁴ G61MPV-60C-090	² 0.076 (97M78)
41,000	15.20	12.70	3230	C33-62C	⁴ G61MPV-60C-111	² 0.076 (97M78)
41,000	15.40	12.70	3225	C33-62C	⁴ G61MPV-60C-110	² 0.076 (97M78)
41,000	15.50	12.70	3205	C33-62C	⁴ G60UHV-60C-110	² 0.076 (97M78)
41,000	15.70	12.70	3165	C33-62C	⁴ G60UHV-60C-090	² 0.076 (97M78)
41,500	14.50	12.50	3320	C33-43C	⁴ G61MPV-60C-091	² 0.076 (97M78)
41,500	14.70	12.70	3240	C33-43C	⁴ G60UHV-60C-110	² 0.076 (97M78)
41,500	14.70	12.70	3255	C33-43C	⁴ G61MPV-60C-110	² 0.076 (97M78)
41,500	14.70	12.70	3265	C33-43C	⁴ G61MPV-60C-111	² 0.076 (97M78)

¹ Certified in accordance with USE certification program which is based on ARI Standard 210/240; 95°F outdoor air temperature, 80°F db / 67°F wb entering evaporator air with 25 ft. of connecting refrigerant lines.

² Factory installed RFC or expansion valve on indoor unit MUST be replaced with expansion valve kit (ordered separately) or RFC (shipped with air conditioner) shown.

³ Blower must be capable of time-off blower delay. Indoor Blower Off Delay Relay (58M81) is recommended for field installation.

⁴ Blower control must be set for a time-off blower delay.

ARI RATINGS

1 ARI Standard 210/240 Ratings						
Cooling Capacity Btuh	Efficiency		Total Unit Watts	Indoor Unit Model No.	Expansion Device	
	SEER	EER				
XC14-042 WITH RFC					3.5 TON	
Down-Flow Indoor Coils				Down-Flow Coils		
41,000	13.50	11.70	3455	3 CR33-50/60C-F		2 0.076 (97M78)
41,000	13.50	11.70	3455	3 CR33-60D-F		2 0.076 (97M78)
Down-Flow Indoor Coils + Furnace				Down-Flow Coils + Furnace		
41,500	14.20	12.50	3325	CR33-50/60C-F	4 G61MPV-60C-091	2 0.076 (97M78)
41,500	14.50	12.70	3265	CR33-50/60C-F	4 G61MPV-60C-090	2 0.076 (97M78)
41,500	14.50	12.70	3255	CR33-50/60C-F	4 G61MPV-60C-110	2 0.076 (97M78)
41,500	14.50	12.70	3265	CR33-50/60C-F	4 G61MPV-60C-111	2 0.076 (97M78)
41,500	14.70	12.70	3210	CR33-50/60C-F	4 G60DFV-60C-090	2 0.076 (97M78)
41,500	14.70	12.70	3245	CR33-50/60C-F	4 G60DFV-60C-110	2 0.076 (97M78)
41,500	14.70	12.70	3230	CR33-60D-F	4 G60DFV-60D-135	2 0.076 (97M78)
41,500	14.70	12.70	3225	CR33-60D-F	4 G61MPV-60D-135	2 0.076 (97M78)
Horizontal Indoor Coils				Horizontal Coils		
40,500	13.50	11.70	3450	3 CH33-48C-2F		2 0.076 (97M78)
41,000	13.70	11.70	3455	3 CH33-43C-2F		2 0.076 (97M78)
41,000	13.70	11.70	3455	3 CH33-50/60C-2F		2 0.076 (97M78)
41,500	13.70	12.00	3460	3 CH33-49C-2F		2 0.076 (97M78)
Horizontal Indoor Coils + Furnace				Horizontal + Furnace		
41,000	14.20	12.20	3345	CH33-48C-2F	4 G61MPV-60C-091	2 0.076 (97M78)
41,000	14.50	12.20	3290	CH33-48C-2F	4 G61MPV-60C-090	2 0.076 (97M78)
41,000	14.50	12.20	3295	CH33-48C-2F	4 G61MPV-60C-111	2 0.076 (97M78)
41,000	14.50	12.50	3270	CH33-48C-2F	4 G60UHV-60C-110	2 0.076 (97M78)
41,000	14.50	12.50	3285	CH33-48C-2F	4 G61MPV-60C-110	2 0.076 (97M78)
41,000	14.70	12.70	3230	CH33-48C-2F	4 G60UHV-60C-090	2 0.076 (97M78)
41,500	14.50	12.20	3350	CH33-50/60C-2F	4 G61MPV-60C-091	2 0.076 (97M78)
41,500	14.50	12.50	3325	CH33-43C-2F	4 G61MPV-60C-091	2 0.076 (97M78)
41,500	14.70	12.20	3295	CH33-50/60C-2F	4 G61MPV-60C-111	2 0.076 (97M78)
41,500	14.70	12.50	3275	CH33-49C-2F	4 G60UHV-60C-110	2 0.076 (97M78)
41,500	14.70	12.50	3290	CH33-49C-2F	4 G61MPV-60C-090	2 0.076 (97M78)
41,500	14.70	12.50	3290	CH33-49C-2F	4 G61MPV-60C-110	2 0.076 (97M78)
41,500	14.70	12.50	3300	CH33-49C-2F	4 G61MPV-60C-111	2 0.076 (97M78)
41,500	14.70	12.50	3275	CH33-50/60C-2F	4 G60UHV-60C-110	2 0.076 (97M78)
41,500	14.70	12.50	3295	CH33-50/60C-2F	4 G61MPV-60C-090	2 0.076 (97M78)
41,500	14.70	12.50	3285	CH33-50/60C-2F	4 G61MPV-60C-110	2 0.076 (97M78)
41,500	14.70	12.70	3235	CH33-43B-2F	4 G60UHV-36B-090	2 0.076 (97M78)
41,500	14.70	12.70	3240	CH33-43C-2F	4 G60UHV-60C-110	2 0.076 (97M78)
41,500	14.70	12.70	3265	CH33-43C-2F	4 G61MPV-60C-090	2 0.076 (97M78)
41,500	14.70	12.70	3255	CH33-43C-2F	4 G61MPV-60C-110	2 0.076 (97M78)
41,500	14.70	12.70	3265	CH33-43C-2F	4 G61MPV-60C-111	2 0.076 (97M78)
41,500	15.00	12.70	3200	CH33-43C-2F	4 G60UHV-60C-090	2 0.076 (97M78)
41,500	15.00	12.70	3235	CH33-49C-2F	4 G60UHV-60C-090	2 0.076 (97M78)
41,500	15.00	12.70	3230	CH33-50/60C-2F	4 G60UHV-60C-090	2 0.076 (97M78)
42,000	14.50	12.50	3355	CH33-49C-2F	4 G61MPV-60C-091	2 0.076 (97M78)

¹ Certified in accordance with USE certification program which is based on ARI Standard 210/240; 95°F outdoor air temperature, 80°F db / 67°F wb entering evaporator air with 25 ft. of connecting refrigerant lines.

² Factory installed RFC or expansion valve on indoor unit MUST be replaced with expansion valve kit (ordered separately) or RFC (shipped with air conditioner) shown.

³ Blower must be capable of time-off blower delay. Indoor Blower Off Delay Relay (58M81) is recommended for field installation.

⁴ Blower control must be set for a time-off blower delay.

ARI RATINGS

¹ ARI Standard 210/240 Ratings

Cooling Capacity Btuh	Efficiency		Total Unit Watts	Indoor Unit Model No.	Expansion Device
	SEER	EER			
XC14-048 WITH TXV					4 TON
Up-Flow Indoor Coils				Up-Flow Coils	
46,500	13.50	11.20	4070	³ CX34-44/48C-6F	² 91M02
47,000	13.70	11.50	4080	³ CX34-50/60C-6F	Factory TXV
47,500	13.70	11.50	4080	³ CX34-43B/C-6F	² 91M02
48,000	14.00	11.70	4080	³ CX34-60D-6F	Factory TXV
48,500	14.00	11.70	4085	³ CX34-49C-6F	Factory TXV
48,500	14.00	11.70	4085	³ CX34-62D-6F	Factory TXV
49,000	14.20	12.00	4085	^{3, 5} CX34-62C-6F	Factory TXV
Up-Flow Indoor Coils + Furnace				Up-Flow Coils + Furnace	
47,000	13.70	11.50	4040	CX34-44/48C-6F ⁴ G61MPV-60C-091	² 91M02
47,000	14.00	11.70	3985	CX34-44/48C-6F ⁴ G61MPV-60C-090	² 91M02
47,000	14.00	11.70	3960	CX34-44/48C-6F ⁴ G61MPV-60C-110	² 91M02
47,000	14.00	11.70	3995	CX34-44/48C-6F ⁴ G61MPV-60C-111	² 91M02
47,000	14.20	11.70	3950	CX34-44/48C-6F ⁴ G60UHV-60C-090	² 91M02
47,000	14.20	11.70	3950	CX34-44/48C-6F ⁴ G60UHV-60C-110	² 91M02
47,500	14.00	11.70	4045	CX34-50/60C-6F ⁴ G61MPV-60C-091	Factory TXV
47,500	14.00	11.70	4000	CX34-50/60C-6F ⁴ G61MPV-60C-111	Factory TXV
47,500	14.20	11.70	3990	CX34-50/60C-6F ⁴ G61MPV-60C-090	Factory TXV
47,500	14.20	12.00	3955	CX34-50/60C-6F ⁴ G60UHV-60C-090	Factory TXV
47,500	14.20	12.00	3955	CX34-50/60C-6F ⁴ G60UHV-60C-110	Factory TXV
47,500	14.20	12.00	3965	CX34-50/60C-6F ⁴ G61MPV-60C-110	Factory TXV
48,000	14.00	11.70	4020	CX34-43C-6F ⁴ G61MPV-60C-091	² 91M02
48,000	14.20	12.00	3955	CX34-43C-6F ⁴ G61MPV-60C-090	² 91M02
48,000	14.20	12.00	3965	CX34-43C-6F ⁴ G61MPV-60C-111	² 91M02
48,000	14.50	12.20	3925	CX34-43C-6F ⁴ G60UHV-60C-090	² 91M02
48,000	14.50	12.20	3920	CX34-43C-6F ⁴ G60UHV-60C-110	² 91M02
48,000	14.50	12.20	3935	CX34-43C-6F ⁴ G61MPV-60C-110	² 91M02
48,500	14.20	12.00	4025	CX34-49C-6F ⁴ G61MPV-60C-091	Factory TXV
48,500	14.50	12.20	3970	CX34-49C-6F ⁴ G61MPV-60C-111	Factory TXV
48,500	14.70	12.20	3960	CX34-49C-6F ⁴ G61MPV-60C-090	Factory TXV
48,500	14.70	12.20	3940	CX34-49C-6F ⁴ G61MPV-60C-110	Factory TXV
48,500	14.70	12.20	3910	CX34-60D-6F ⁴ G61MPV-60D-135	Factory TXV
48,500	15.00	12.50	3860	CX34-60D-6F ⁴ G60UHV-60D-135	Factory TXV
49,000	14.70	12.20	3930	CX34-49C-6F ⁴ G60UHV-60C-090	Factory TXV
49,000	14.70	12.50	3925	CX34-49C-6F ⁴ G60UHV-60C-110	Factory TXV
49,000	15.00	12.50	3905	CX34-62D-6F ⁴ G61MPV-60D-135	Factory TXV
49,000	15.20	12.70	3865	CX34-62D-6F ⁴ G60UHV-60D-135	Factory TXV
49,500	14.50	12.20	4030	CX34-62C-6F ⁴ G61MPV-60C-091	Factory TXV
49,500	14.70	12.20	3975	CX34-62C-6F ⁴ G61MPV-60C-111	Factory TXV
49,500	14.70	12.50	3960	CX34-62C-6F ⁴ G61MPV-60C-090	Factory TXV
49,500	15.00	12.50	3935	CX34-62C-6F ⁴ G60UHV-60C-090	Factory TXV
49,500	15.00	12.50	3925	CX34-62C-6F ⁴ G60UHV-60C-110	Factory TXV
49,500	15.00	12.50	3940	CX34-62C-6F ⁴ G61MPV-60C-110	Factory TXV

¹ Certified in accordance with USE certification program which is based on ARI Standard 210/240; 95°F outdoor air temperature, 80°F db / 67°F wb entering evaporator air with 25 ft. of connecting refrigerant lines.

² Factory installed RFC or expansion valve on indoor unit **MUST** be replaced with expansion valve kit (ordered separately) or RFC (shipped with air conditioner) shown.

³ Blower must be capable of time-off blower delay. Indoor Blower Off Delay Relay (**58M81**) is recommended for field installation.

⁴ Blower control must be set for a time-off blower delay.

⁵ Most popular indoor coil.

ARI RATINGS

1 ARI Standard 210/240 Ratings						
Cooling Capacity Btuh	Efficiency		Total Unit Watts	Indoor Unit Model No.		Expansion Device
	SEER	EER				
XC14-048 WITH TXV						4 TON
Down-Flow Indoor Coils				Down-Flow Coils		
47,000	13.70	11.50	4075	3 CR33-50/60C-F		2 91M02
47,000	13.70	11.50	4075	3 CR33-60D-F		2 91M02
Down-Flow Indoor Coils + Furnace				Down-Flow Coils + Furnace		
45,500	13.20	11.20	4035	CR33-48C-F	4 G61MPV-60C-091	2 91M02
45,500	13.70	11.20	3980	CR33-48C-F	4 G61MPV-60C-090	2 91M02
45,500	13.70	11.50	3950	CR33-48C-F	4 G61MPV-60C-110	2 91M02
46,000	13.50	11.50	3990	CR33-48C-F	4 G61MPV-60C-111	2 91M02
46,000	14.00	11.70	3910	CR33-48C-F	4 G60DFV-60C-090	2 91M02
47,500	14.00	11.70	4015	CR33-50/60C-F	4 G61MPV-60C-091	2 91M02
47,500	14.20	12.00	3950	CR33-50/60C-F	4 G61MPV-60C-090	2 91M02
47,500	14.20	12.00	3930	CR33-50/60C-F	4 G61MPV-60C-110	2 91M02
47,500	14.20	12.00	3960	CR33-50/60C-F	4 G61MPV-60C-111	2 91M02
47,500	14.50	12.00	3925	CR33-48C-F	4 G60DFV-60C-110	2 91M02
47,500	14.50	12.00	3925	CR33-50/60C-F	4 G60DFV-60C-110	2 91M02
47,500	14.50	12.20	3895	CR33-60D-F	4 G61MPV-60D-135	2 91M02
47,500	14.70	12.20	3900	CR33-60D-F	4 G60DFV-60D-135	2 91M02
48,000	14.50	12.20	3920	CR33-50/60C-F	4 G60DFV-60C-090	2 91M02
Horizontal Indoor Coils				Horizontal Coils		
47,500	13.70	11.50	4080	3 CH33-43C-2F		2 91M02
47,500	13.70	11.50	4080	3 CH33-48C-2F		2 91M02
47,500	13.70	11.50	4080	3 CH33-60D-2F		2 91M02
48,000	14.00	11.70	4080	3 CH33-49C-2F		2 91M02
48,000	14.00	11.70	4080	3 CH33-50/60C-2F		2 91M02
48,000	14.00	11.70	4080	3 CH33-62D-2F		2 91M02
48,500	14.20	11.70	4085	3 CH23-68		2 91M02
Horizontal Indoor Coils + Furnace				Horizontal + Furnace		
47,500	14.00	11.70	4045	CH33-48C-2F	4 G61MPV-60C-091	2 91M02
47,500	14.20	11.70	3990	CH33-48C-2F	4 G61MPV-60C-090	2 91M02
47,500	14.20	11.70	4000	CH33-48C-2F	4 G61MPV-60C-111	2 91M02
47,500	14.20	12.00	3955	CH33-48C-2F	4 G60UHV-60C-110	2 91M02
47,500	14.20	12.00	3965	CH33-48C-2F	4 G61MPV-60C-110	2 91M02
48,000	14.00	11.70	4045	CH33-43C-2F	4 G61MPV-60C-091	2 91M02
48,000	14.20	11.70	4050	CH33-50/60C-2F	4 G61MPV-60C-091	2 91M02
48,000	14.20	12.00	3990	CH33-43C-2F	4 G61MPV-60C-090	2 91M02
48,000	14.20	12.00	3965	CH33-43C-2F	4 G61MPV-60C-110	2 91M02
48,000	14.20	12.00	4000	CH33-43C-2F	4 G61MPV-60C-111	2 91M02
48,000	14.20	12.00	3990	CH33-50/60C-2F	4 G61MPV-60C-090	2 91M02
48,000	14.50	12.00	3955	CH33-43C-2F	4 G60UHV-60C-090	2 91M02
48,000	14.50	12.00	3955	CH33-43C-2F	4 G60UHV-60C-110	2 91M02
48,000	14.50	12.00	3955	CH33-48C-2F	4 G60UHV-60C-090	2 91M02
48,000	14.70	12.20	3860	CH33-60D-2F	4 G60UHV-60D-135	2 91M02
48,000	14.70	12.20	3900	CH33-60D-2F	4 G61MPV-60D-135	2 91M02
Horizontal Indoor Coils + Furnace				Continued on Next Page		

¹ Certified in accordance with USE certification program which is based on ARI Standard 210/240; 95°F outdoor air temperature, 80°F db / 67°F wb entering evaporator air with 25 ft. of connecting refrigerant lines.

² Factory installed RFC or expansion valve on indoor unit MUST be replaced with expansion valve kit (ordered separately) or RFC (shipped with air conditioner) shown.

³ Blower must be capable of time-off blower delay. Indoor Blower Off Delay Relay (58M81) is recommended for field installation.

⁴ Blower control must be set for a time-off blower delay.

ARI RATINGS

¹ ARI Standard 210/240 Ratings

Cooling Capacity Btuh	Efficiency		Total Unit Watts	Indoor Unit Model No.		Expansion Device
	SEER	EER				

XC14-048 WITH TXV

4 TON

Horizontal Indoor Coils + Furnace				Continued from Previous Page		
48,500	14.20	12.00	4050	CH33-49C-2F	⁴ G61MPV-60C-091	² 91M02
48,500	14.20	12.00	4020	CH33-62D-2F	⁴ G61MPV-60C-091	² 91M02
48,500	14.50	12.00	3995	CH33-49C-2F	⁴ G61MPV-60C-090	² 91M02
48,500	14.50	12.00	4005	CH33-49C-2F	⁴ G61MPV-60C-111	² 91M02
48,500	14.50	12.00	4005	CH33-49C-2F	⁴ G61MPV-60C-111	² 91M02
48,500	14.50	12.20	3970	CH33-49C-2F	⁴ G61MPV-60C-110	² 91M02
48,500	14.50	12.20	3955	CH33-50/60C-2F	⁴ G60UHV-60C-110	² 91M02
48,500	14.50	12.20	3965	CH33-50/60C-2F	⁴ G61MPV-60C-110	² 91M02
48,500	14.50	12.20	3955	CH33-62D-2F	⁴ G61MPV-60C-090	² 91M02
48,500	14.50	12.20	3965	CH33-62D-2F	⁴ G61MPV-60C-111	² 91M02
48,500	14.70	12.20	3960	CH33-49C-2F	⁴ G60UHV-60C-110	² 91M02
48,500	14.70	12.20	3960	CH33-50/60C-2F	⁴ G60UHV-60C-090	² 91M02
48,500	14.70	12.20	3900	CH33-62D-2F	⁴ G61MPV-60D-135	² 91M02
48,500	14.70	12.20	3925	CH33-62D-2F	⁴ G60UHV-60C-090	² 91M02
48,500	14.70	12.20	3915	CH33-62D-2F	⁴ G60UHV-60C-110	² 91M02
48,500	14.70	12.20	3935	CH33-62D-2F	⁴ G61MPV-60C-110	² 91M02
48,500	15.00	12.50	3860	CH33-62D-2F	⁴ G60UHV-60D-135	² 91M02
49,000	14.70	12.20	3960	CH33-49C-2F	⁴ G60UHV-60C-090	² 91M02
49,000	15.20	12.50	3870	CH23-68	⁴ G61MPV-60D-135	² 91M02
49,000	15.50	12.70	3815	CH23-68	⁴ G60UHV-60D-135	² 91M02

Air Handlers

Air Handlers

47,500	14.00	11.70	4015	³ CB30U-51 (Up-Flow)	² 91M02
48,000	14.50	12.00	3960	³ CBX32M-048 (Multi-Postition)	Factory TXV
48,000	14.70	12.20	3880	⁴ CBX27UH-060 (Up-Flow / Horizontal)	Factory TXV
48,500	14.20	12.00	4020	³ CBX32M-060 (Multi-Postition)	Factory TXV
48,500	14.20	12.00	4035	³ CB30U-65 (Up-Flow)	² 91M02
48,500	14.50	12.00	4005	CBX26UH-048 (Up-Flow / Horizontal)	Factory TXV
48,500	14.50	12.20	3960	⁴ CBX32MV-048 (Multi-Postition)	Factory TXV
48,500	14.70	12.20	3965	⁴ CBX32MV-060 (Multi-Postition)	Factory TXV
48,500	14.70	12.50	3880	⁴ CBX27UH-048 (Up-Flow / Horizontal)	Factory TXV
49,500	14.70	12.20	4005	³ CBX32M-042 (Multi-Postition)	Factory TXV

XC14-048 WITH RFC

4 TON

Up-Flow Indoor Coils				Up-Flow Coils		
47,000	13.20	11.50	4085	³ C33-48C	² 0.083 (11W07)	
47,500	13.50	11.50	4090	³ C33-50/60C	² 0.083 (11W07)	
47,500	13.70	11.50	4090	³ C33-43B/C	² 0.083 (11W07)	
48,000	13.70	11.70	4090	³ C33-60D	² 0.083 (11W07)	
48,500	13.70	11.70	4095	³ C33-49C	² 0.083 (11W07)	
48,500	14.00	11.70	4095	³ C33-62D	² 0.083 (11W07)	
49,000	14.20	11.70	4100	³ C33-62C	² 0.083 (11W07)	

¹ Certified in accordance with USE certification program which is based on ARI Standard 210/240; 95°F outdoor air temperature, 80°F db / 67°F wb entering evaporator air with 25 ft. of connecting refrigerant lines.

² Factory installed RFC or expansion valve on indoor unit **MUST** be replaced with expansion valve kit (ordered separately) or RFC (shipped with air conditioner) shown.

³ Blower must be capable of time-off blower delay. Indoor Blower Off Delay Relay (58M81) is recommended for field installation.

⁴ Blower control must be set for a time-off blower delay.

ARI RATINGS

1 ARI Standard 210/240 Ratings						
Cooling Capacity Btuh	Efficiency		Total Unit Watts	Indoor Unit Model No.	Expansion Device	
	SEER	EER				
XC14-048 WITH RFC						4 TON
Up-Flow Indoor Coils + Furnace				Up-Flow Coils + Furnace		
47,000	13.50	11.50	4055	C33-48C-6F	4 G61MPV-60C-091	2 0.083 (11W07)
47,000	13.70	11.70	3995	C33-48C-6F	4 G61MPV-60C-090	2 0.083 (11W07)
47,000	13.70	11.70	3970	C33-48C-6F	4 G61MPV-60C-110	2 0.083 (11W07)
47,000	13.70	11.70	4005	C33-48C-6F	4 G61MPV-60C-111	2 0.083 (11W07)
47,500	14.00	12.00	3960	C33-48C-6F	4 G60UHV-60C-110	2 0.083 (11W07)
47,500	14.00	13.00	3965	C33-48C-6F	4 G60UHV-60C-090	2 0.083 (11W07)
48,000	13.70	11.70	4060	C33-50/60C-6F	4 G61MPV-60C-091	2 0.083 (11W07)
48,000	14.00	11.70	4030	C33-43C-6F	4 G61MPV-60C-091	2 0.083 (11W07)
48,000	14.00	11.70	4010	C33-50/60C-6F	4 G61MPV-60C-111	2 0.083 (11W07)
48,000	14.00	12.00	4000	C33-50/60C-6F	4 G61MPV-60C-090	2 0.083 (11W07)
48,000	14.00	12.00	3975	C33-50/60C-6F	4 G61MPV-60C-110	2 0.083 (11W07)
48,000	14.20	12.00	3965	C33-43C-6F	4 G61MPV-60C-090	2 0.083 (11W07)
48,000	14.20	12.00	3945	C33-43C-6F	4 G61MPV-60C-110	2 0.083 (11W07)
48,000	14.20	12.00	3975	C33-43C-6F	4 G61MPV-60C-111	2 0.083 (11W07)
48,000	14.20	12.00	3970	C33-50/60C-6F	4 G60UHV-60C-090	2 0.083 (11W07)
48,000	14.20	12.00	3965	C33-50/60C-6F	4 G60UHV-60C-110	2 0.083 (11W07)
48,000	14.20	12.20	3930	C33-43C-6F	4 G60UHV-60C-110	2 0.083 (11W07)
48,500	14.20	12.00	4035	C33-49C-6F	4 G61MPV-60C-091	2 0.083 (11W07)
48,500	14.50	12.20	3935	C33-43C-6F	4 G60UHV-60C-090	2 0.083 (11W07)
48,500	14.50	12.20	3970	C33-49C-6F	4 G61MPV-60C-090	2 0.083 (11W07)
48,500	14.50	12.20	3950	C33-49C-6F	4 G61MPV-60C-110	2 0.083 (11W07)
48,500	14.50	12.20	3980	C33-49C-6F	4 G61MPV-60C-111	2 0.083 (11W07)
48,500	14.70	12.50	3870	C33-60D-6F	4 G60UHV-60D-135	2 0.083 (11W07)
49,000	14.70	12.20	3940	C33-49C-6F	4 G60UHV-60C-090	2 0.083 (11W07)
49,000	14.70	12.20	3935	C33-49C-6F	4 G60UHV-60C-110	2 0.083 (11W07)
49,000	14.70	12.50	3915	C33-62D-6F	4 G61MPV-60D-135	2 0.083 (11W07)
49,000	15.00	12.50	3875	C33-62D-6F	4 G60UHV-60D-135	2 0.083 (11W07)
49,500	14.50	12.20	4040	C33-62C-6F	4 G61MPV-60C-091	2 0.083 (11W07)
49,500	14.70	12.20	3985	C33-62C-6F	4 G61MPV-60C-111	2 0.083 (11W07)
49,500	14.70	12.50	3940	C33-62C-6F	4 G60UHV-60C-110	2 0.083 (11W07)
49,500	14.70	12.50	3970	C33-62C-6F	4 G61MPV-60C-090	2 0.083 (11W07)
49,500	14.70	12.50	3950	C33-62C-6F	4 G61MPV-60C-110	2 0.083 (11W07)
50,000	15.00	12.50	3945	C33-62C-6F	4 G60UHV-60C-090	2 0.083 (11W07)
Down-Flow Indoor Coils				Down-Flow Coils		
47,500	13.50	11.50	4090	3 CR33-50/60C-F		2 0.083 (11W07)
47,500	13.50	11.50	4090	3 CR33-60D-F		2 0.083 (11W07)

¹ Certified in accordance with USE certification program which is based on ARI Standard 210/240; 95°F outdoor air temperature, 80°F db / 67°F wb entering evaporator air with 25 ft. of connecting refrigerant lines.

² Factory installed RFC or expansion valve on indoor unit MUST be replaced with expansion valve kit (ordered separately) or RFC (shipped with air conditioner) shown.

³ Blower must be capable of time-off blower delay. Indoor Blower Off Delay Relay (58M81) is recommended for field installation.

⁴ Blower control must be set for a time-off blower delay.

⁵ Most popular indoor coil.

ARI RATINGS

¹ ARI Standard 210/240 Ratings

Cooling Capacity Btuh	Efficiency		Total Unit Watts	Indoor Unit Model No.		Expansion Device
	SEER	EER				
XC14-048 WITH RFC						4 TON
Down-Flow Indoor Coils + Furnace				Down-Flow Coils + Furnace		
46,500	13.00	11.50	4050	CR33-48C-F	⁴ G61MPV-60C-091	² 0.083 (11W07)
46,500	13.20	11.50	3995	CR33-48C-F	⁴ G61MPV-60C-090	² 0.083 (11W07)
46,500	13.20	11.50	4005	CR33-48C-F	⁴ G61MPV-60C-111	² 0.083 (11W07)
46,500	13.50	11.70	3965	CR33-48C-F	⁴ G61MPV-60C-110	² 0.083 (11W07)
47,000	13.70	11.70	3930	CR33-48C-F	⁴ G60DFV-60C-090	² 0.083 (11W07)
48,000	13.70	11.70	4030	CR33-50/60C-F	⁴ G61MPV-60C-091	² 0.083 (11W07)
48,000	14.00	12.00	3965	CR33-50/60C-F	⁴ G61MPV-60C-090	² 0.083 (11W07)
48,000	14.00	12.00	3945	CR33-50/60C-F	⁴ G61MPV-60C-110	² 0.083 (11W07)
48,000	14.00	12.00	3975	CR33-50/60C-F	⁴ G61MPV-60C-111	² 0.083 (11W07)
48,000	14.20	12.20	3910	CR33-60D-F	⁴ G61MPV-60D-135	² 0.083 (11W07)
48,500	14.20	12.20	3940	CR33-48C-F	⁴ G60DFV-60C-110	² 0.083 (11W07)
48,500	14.20	12.20	3935	CR33-50/60C-F	⁴ G60DFV-60C-090	² 0.083 (11W07)
48,500	14.20	12.20	3940	CR33-50/60C-F	⁴ G60DFV-60C-110	² 0.083 (11W07)
48,500	14.20	12.20	3915	CR33-60D-F	⁴ G60DFV-60D-135	² 0.083 (11W07)
Horizontal Indoor Coils				Horizontal Coils		
47,500	13.50	11.50	4090	³ CH33-48C-2F		² 0.083 (11W07)
48,000	13.70	11.70	4090	³ CH33-43C-2F		² 0.083 (11W07)
48,000	13.70	11.70	4095	³ CH33-50/60C-2F		² 0.083 (11W07)
48,000	13.70	11.70	4090	³ CH33-60D-2F		² 0.083 (11W07)
48,000	13.70	11.70	4090	³ CH33-62D-2F		² 0.083 (11W07)
48,500	13.70	11.70	4095	³ CH33-49C-2F		² 0.083 (11W07)
48,500	13.70	11.70	4095	³ CH23-68		² 0.083 (11W07)
Horizontal Indoor Coils + Furnace				Horizontal + Furnace		
48,000	13.70	11.70	4060	CH33-43C-2F	⁴ G61MPV-60C-091	² 0.083 (11W07)
48,000	13.70	11.70	4060	CH33-48C-2F	⁴ G61MPV-60C-091	² 0.083 (11W07)
48,000	14.00	11.70	4015	CH33-43C-2F	⁴ G61MPV-60C-111	² 0.083 (11W07)
48,000	14.00	11.70	4010	CH33-48C-2F	⁴ G61MPV-60C-111	² 0.083 (11W07)
48,000	14.00	12.00	4005	CH33-43C-2F	⁴ G61MPV-60C-090	² 0.083 (11W07)
48,000	14.00	12.00	4000	CH33-48C-2F	⁴ G61MPV-60C-090	² 0.083 (11W07)
48,000	14.00	12.00	3975	CH33-48C-2F	⁴ G61MPV-60C-110	² 0.083 (11W07)
48,000	14.20	12.00	3980	CH33-43C-2F	⁴ G61MPV-60C-110	² 0.083 (11W07)
48,000	14.20	12.00	3970	CH33-48C-2F	⁴ G60UHV-60C-090	² 0.083 (11W07)
48,000	14.20	12.00	3965	CH33-48C-2F	⁴ G60UHV-60C-110	² 0.083 (11W07)
48,000	14.50	12.20	3910	CH33-60D-2F	⁴ G61MPV-60D-135	² 0.083 (11W07)
48,500	14.00	11.70	4060	CH33-50/60C-2F	⁴ G61MPV-60C-091	² 0.083 (11W07)
48,500	14.20	11.70	4060	CH33-49C-2F	⁴ G61MPV-60C-091	² 0.083 (11W07)
48,500	14.20	12.00	4005	CH33-49C-2F	⁴ G61MPV-60C-090	² 0.083 (11W07)
48,500	14.20	12.00	4015	CH33-49C-2F	⁴ G61MPV-60C-111	² 0.083 (11W07)
48,500	14.20	12.00	3970	CH33-50/60C-2F	⁴ G60UHV-60C-110	² 0.083 (11W07)
Horizontal Indoor Coils + Furnace				Continued on Next Page		

¹ Certified in accordance with USE certification program which is based on ARI Standard 210/240; 95°F outdoor air temperature, 80°F db / 67°F wb entering evaporator air with 25 ft. of connecting refrigerant lines.

² Factory installed RFC or expansion valve on indoor unit MUST be replaced with expansion valve kit (ordered separately) or RFC (shipped with air conditioner) shown.

³ Blower must be capable of time-off blower delay. Indoor Blower Off Delay Relay (58M81) is recommended for field installation.

⁴ Blower control must be set for a time-off blower delay.

ARI RATINGS

¹ ARI Standard 210/240 Ratings

Cooling Capacity Btuh	Efficiency		Total Unit Watts	Indoor Unit Model No.	Expansion Device
	SEER	EER			
XC14-048 WITH RFC					4 TON
Horizontal Indoor Coils + Furnace			Continued from Previous Page		
48,500	14.20	12.00	4005	CH33-50/60C-2F ⁴ G61MPV-60C-090	² 0.083 (11W07)
48,500	14.20	12.00	4015	CH33-49C-2F ⁴ G61MPV-60C-111	² 0.083 (11W07)
48,500	14.50	12.20	4035	CH33-62D-2F ⁴ G61MPV-60C-091	² 0.083 (11W07)
48,500	14.20	12.20	3970	CH33-43C-2F ⁴ G60UHV-60C-090	² 0.083 (11W07)
48,500	14.20	12.20	3970	CH33-43C-2F ⁴ G60UHV-60C-110	² 0.083 (11W07)
48,500	14.20	12.20	3980	CH33-49C-2F ⁴ G61MPV-60C-110	² 0.083 (11W07)
48,500	14.20	12.00	3980	CH33-50/60C-2F ⁴ G61MPV-60C-110	² 0.083 (11W07)
48,500	14.20	12.20	3975	CH33-62D-2F ⁴ G61MPV-60C-111	² 0.083 (11W07)
48,500	14.50	12.00	3970	CH33-50/60C-2F ⁴ G60UHV-60C-090	² 0.083 (11W07)
48,500	14.50	12.20	3925	CH33-62D-2F ⁴ G60UHV-60C-110	² 0.083 (11W07)
48,500	14.50	12.20	3970	CH33-62D-2F ⁴ G61MPV-60C-090	² 0.083 (11W07)
48,500	14.20	12.00	3945	CH33-62D-2F ⁴ G61MPV-60C-110	² 0.083 (11W07)
48,500	14.70	12.50	3910	CH33-62D-2F ⁴ G61MPV-60D-135	² 0.083 (11W07)
48,500	14.70	12.20	3940	CH33-62D-2F ⁴ G60UHV-60C-090	² 0.083 (11W07)
48,500	14.70	12.50	3870	CH33-60D-2F ⁴ G60UHV-60D-135	² 0.083 (11W07)
48,500	14.70	12.50	3870	CH33-62D-2F ⁴ G60UHV-60D-135	² 0.083 (11W07)
49,000	14.50	12.20	3970	CH33-49C-2F ⁴ G60UHV-60C-090	² 0.083 (11W07)
49,000	14.50	12.20	3970	CH33-49C-2F ⁴ G60UHV-60C-110	² 0.083 (11W07)
49,000	15.00	12.50	3880	CH23-68 ⁴ G61MPV-60D-135	² 0.083 (11W07)
49,000	15.20	12.70	3830	CH23-68 ⁴ G60UHV-60D-135	² 0.083 (11W07)

XC14-060 WITH TXV

5 TON

Up-Flow Indoor Coils			Up-Flow Coils		
55,500	13.70	11.50	4795	³ CX34-50/60C-6F	Factory TXV
56,500	14.00	11.70	4805	³ CX34-60D-6F	Factory TXV
57,000	14.00	11.70	4805	³ CX34-49C-6F	Factory TXV
57,000	14.00	11.70	4810	³ CX34-62D-6F	Factory TXV
58,000	14.20	12.00	4820	³ CX34-62C-6F	Factory TXV

Up-Flow Indoor Coils + Furnace			Up-Flow Coils + Furnace		
55,500	13.70	11.50	4775	CX34-50/60C-6F ⁴ G61MPV-60C-090	Factory TXV
55,500	13.70	11.70	4745	CX34-50/60C-6F ⁴ G61MPV-60C-110	Factory TXV
56,000	14.00	11.70	4730	CX34-50/60C-6F ⁴ G60UHV-60C-090	Factory TXV
56,000	14.00	11.70	4730	CX34-50/60C-6F ⁴ G60UHV-60C-110	Factory TXV
57,000	14.00	12.00	4755	CX34-49C-6F ⁴ G61MPV-60C-090	Factory TXV
57,000	14.20	12.00	4705	CX34-49C-6F ⁴ G60UHV-60C-090	Factory TXV
57,000	14.20	12.00	4715	CX34-49C-6F ⁴ G60UHV-60C-110	Factory TXV
57,000	14.20	12.00	4720	CX34-49C-6F ⁴ G61MPV-60C-110	Factory TXV
57,000	14.50	12.20	4665	CX34-60D-6F ⁴ G61MPV-60D-135	Factory TXV
57,500	14.50	12.20	4670	CX34-62D-6F ⁴ G61MPV-60D-135	Factory TXV
57,500	14.70	12.50	4590	CX34-62D-6F ⁴ G60UHV-60D-135	Factory TXV
57,500	15.00	12.50	4550	CX34-60D-6F ⁴ G60UHV-60D-135	Factory TXV
58,000	14.20	12.00	4770	CX34-62C-6F ⁴ G61MPV-60C-090	Factory TXV
58,000	14.50	12.20	4720	CX34-62C-6F ⁴ G60UHV-60C-090	Factory TXV
58,000	14.50	12.20	4730	CX34-62C-6F ⁴ G60UHV-60C-110	Factory TXV
58,000	14.50	12.20	4730	CX34-62C-6F ⁴ G61MPV-60C-110	Factory TXV
58,000	14.70	12.50	4620	CX34-62C-6F ⁴ G60UHV-60D-135	Factory TXV

¹ Certified in accordance with USE certification program which is based on ARI Standard 210/240; 95°F outdoor air temperature, 80°F db / 67°F wb entering evaporator air with 25 ft. of connecting refrigerant lines.

² Factory installed RFC or expansion valve on indoor unit MUST be replaced with expansion valve kit (ordered separately) or RFC (shipped with air conditioner) shown.

³ Blower must be capable of time-off blower delay. Indoor Blower Off Delay Relay (58M81) is recommended for field installation.

⁴ Blower control must be set for a time-off blower delay.

⁵ Most popular indoor coil.

ARI RATINGS

¹ ARI Standard 210/240 Ratings

Cooling Capacity Btuh	Efficiency		Total Unit Watts	Indoor Unit Model No.		Expansion Device
	SEER	EER				
XC14-060 WITH TXV						5 TON
Down-Flow Indoor Coils				Down-Flow Coils		
55,500	13.70	11.50	4795	³ CR33-50/60C-F		² 91M02
55,500	13.70	11.50	4795	³ CR33-60D-F		² 91M02
Down-Flow Indoor Coils + Furnace				Down-Flow Coils + Furnace		
56,000	14.00	11.70	4705	CR33-50/60C-F	⁴ G60UHV-60C-110	² 91M02
56,000	14.00	11.70	4690	CR33-60D-F	⁴ G60DFV-60D-135	² 91M02
56,000	14.00	11.70	4690	CR33-60D-F	⁴ G61MPV-60D-135	² 91M02
Horizontal Indoor Coils				Horizontal Coils		
56,000	13.70	11.50	4800	³ CH33-60D-2F		² 91M02
56,500	13.70	11.70	4800	³ CH33-62D-2F		² 91M02
56,500	14.00	11.70	4805	³ CH33-50/60-2F		² 91M02
57,000	14.00	11.70	4810	³ CH33-49C-2F		² 91M02
57,000	14.00	11.70	4815	³ CH23-68		² 91M02
Horizontal Indoor Coils + Furnace				Horizontal + Furnace		
56,500	14.20	11.70	4730	CH33-62D-2F	⁴ G61MPV-60C-090	² 91M02
56,500	14.20	12.00	4685	CH33-62D-2F	⁴ G61MPV-60C-110	² 91M02
56,500	14.20	12.00	4715	CH33-62D-2F	⁴ G61MPV-60C-111	² 91M02
56,500	14.20	12.00	4660	CH33-60D-2F	⁴ G61MPV-60D-135	² 91M02
56,500	14.70	12.20	4580	CH33-60D-2F	⁴ G60UHV-60D-135	² 91M02
57,000	14.20	11.70	4765	CH33-49C-2F	⁴ G61MPV-60C-110	² 91M02
57,000	14.20	12.00	4745	CH33-50/60C-2F	⁴ G60UHV-60C-090	² 91M02
57,000	14.20	12.00	4720	CH33-49C-2F	⁴ G60UHV-60C-110	² 91M02
57,000	14.50	12.20	4665	CH33-62D-2F	⁴ G61MPV-60D-135	² 91M02
57,000	14.70	12.20	4585	CH33-62D-2F	⁴ G60UHV-60D-135	² 91M02
57,500	14.50	12.20	4670	CH23-68	⁴ G61MPV-60D-135	² 91M02
57,500	14.50	12.20	4710	CH33-49C-2F	⁴ G60UHV-60C-090	² 91M02
57,500	14.70	12.50	4595	CH23-68	⁴ G60UHV-60D-135	² 91M02
Air Handlers				Air Handlers		
54,500	14.00	11.70	4635	³ CB30U-51 (Up-Flow)		² 91M02
55,500	13.00	11.20	4945	³ CBX32M-048 (Multi-Postition)		Factory TXV
56,000	14.20	11.70	4690	⁴ CBX32MV-048 (Multi-Postition)		Factory TXV
56,500	14.20	12.00	4715	³ CB30U-65 (Up-Flow)		² 91M02
56,500	14.20	12.00	4695	⁴ CBX32MV-060 (Multi-Postition)		Factory TXV
56,500	14.20	12.00	4710	³ CBX32M-060 (Multi-Postition)		Factory TXV
56,500	14.20	12.00	4660	⁴ CBX27UH-060 (Up-Flow / Horizontal)		Factory TXV
56,500	14.50	12.20	4625	⁴ CBX32MV-068 (Multi-Postition)		Factory TXV
58,000	14.70	12.20	4655	CB26UH-060 (Up-Flow / Horizontal)		Factory TXV

¹ Certified in accordance with USE certification program which is based on ARI Standard 210/240; 95°F outdoor air temperature, 80°F db / 67°F wb entering evaporator air with 25 ft. of connecting refrigerant lines.

² Factory installed RFC or expansion valve on indoor unit **MUST** be replaced with expansion valve kit (ordered separately) or RFC (shipped with air conditioner) shown.

³ Blower must be capable of time-off blower delay. Indoor Blower Off Delay Relay (58M81) is recommended for field installation.

⁴ Blower control must be set for a time-off blower delay.

ARI RATINGS

1 ARI Standard 210/240 Ratings						
Cooling Capacity Btuh	Efficiency		Total Unit Watts	Indoor Unit Model No.	Expansion Device	
	SEER	EER				
XC14-060 WITH RFC						5 TON
Up-Flow Indoor Coils				Up-Flow Coils		
55,500	13.50	11.50	4800	3 C33-50/60C	2 0.093 (11W11)	
56,000	13.70	11.50	4805	3 C33-60D	2 0.093 (11W11)	
56,500	13.70	11.70	4805	3 C33-49C	2 0.093 (11W11)	
56,500	13.70	11.70	4815	3 C33-62D	2 0.093 (11W11)	
57,500	14.00	11.70	4820	3 C33-62C	2 0.093 (11W11)	
Up-Flow Indoor Coils + Furnace				Up-Flow Coils + Furnace		
55,500	13.50	11.50	4780	C33-50/60C	4 G61MPV-60C-090	2 0.093 (11W11)
55,500	13.50	11.70	4745	C33-50/60C	4 G61MPV-60C-110	2 0.093 (11W11)
55,500	13.70	11.70	4735	C33-50/60C	4 G60UHV-60C-090	2 0.093 (11W11)
55,500	13.70	11.70	4735	C33-50/60C	4 G60UHV-60C-110	2 0.093 (11W11)
56,000	13.70	11.70	4755	C33-49C	4 G61MPV-60C-090	2 0.093 (11W11)
56,000	14.00	11.70	4720	C33-49C	4 G61MPV-60C-110	2 0.093 (11W11)
56,500	14.00	11.70	4720	C33-49C	4 G60UHV-60C-110	2 0.093 (11W11)
56,500	14.20	12.00	4710	C33-49C	4 G60UHV-60C-090	2 0.093 (11W11)
56,500	14.20	12.00	4670	C33-60D	4 G61MPV-60D-135	2 0.093 (11W11)
57,000	14.00	11.70	4770	C33-62C	4 G61MPV-60C-090	2 0.093 (11W11)
57,000	14.20	12.20	4675	C33-62D	4 G61MPV-60D-135	2 0.093 (11W11)
57,000	14.70	12.20	4595	C33-62D	4 G60UHV-60D-135	2 0.093 (11W11)
57,000	14.70	12.50	4550	C33-60D	4 G60UHV-60D-135	2 0.093 (11W11)
57,500	14.20	12.00	4730	C33-62C	4 G60UHV-60C-110	2 0.093 (11W11)
57,500	14.20	12.00	4735	C33-62C	4 G61MPV-60C-110	2 0.093 (11W11)
57,500	14.20	12.20	4720	C33-62C	4 G60UHV-60C-090	2 0.093 (11W11)
57,500	14.70	12.20	4625	C33-62C	4 G60UHV-60D-135	2 0.093 (11W11)
Down-Flow Indoor Coils				Down-Flow Coils		
55,500	13.20	11.50	4800	3 CR33-50/60C-F	2 0.093 (11W11)	
55,500	13.20	11.50	4800	3 CR33-60D-F	2 0.093 (11W11)	
Down-Flow Indoor Coils + Furnace				Down-Flow Coils + Furnace		
56,000	14.00	11.70	4695	CR33-60D-F	4 G60DFV-60D-135	2 0.093 (11W11)
56,000	14.00	11.70	4695	CR33-60D-F	4 G61MPV-60D-135	2 0.093 (11W11)
Horizontal Indoor Coils				Horizontal Coils		
56,000	13.50	11.50	4805	3 CH33-60D-2F	2 0.093 (11W11)	
56,000	13.70	11.50	4805	3 CH33-62D-2F	2 0.093 (11W11)	
56,500	13.70	11.70	4810	3 CH33-49C-2F	2 0.093 (11W11)	
56,500	13.70	11.70	4810	3 CH33-50/60-2F	2 0.093 (11W11)	
56,500	13.70	11.70	4815	3 CH23-68	2 0.093 (11W11)	

¹ Certified in accordance with USE certification program which is based on ARI Standard 210/240; 95°F outdoor air temperature, 80°F db / 67°F wb entering evaporator air with 25 ft. of connecting refrigerant lines.

² Factory installed RFC or expansion valve on indoor unit MUST be replaced with expansion valve kit (ordered separately) or RFC (shipped with air conditioner) shown.

³ Blower must be capable of time-off blower delay. Indoor Blower Off Delay Relay (58M81) is recommended for field installation.

⁴ Blower control must be set for a time-off blower delay.

ARI RATINGS

¹ ARI Standard 210/240 Ratings				Indoor Unit Model No.	Expansion Device	
Cooling Capacity Btuh	Efficiency		Total Unit Watts			
	SEER	EER				
XC14-060 WITH RFC					5 TON	
Horizontal Indoor Coils + Furnace				Horizontal	+ Furnace	
56,000	13.70	11.70	4710	CH33-50/60C-F	⁴ G60UHV-60C-110	² 0.093 (11W11)
56,000	14.00	11.70	4730	CH33-62D-2F	⁴ G61MPV-60C-090	² 0.093 (11W11)
56,000	14.00	11.70	4685	CH33-62D-2F	⁴ G61MPV-60C-110	² 0.093 (11W11)
56,000	14.00	11.70	4710	CH33-62D-2F	⁴ G61MPV-60C-111	² 0.093 (11W11)
56,000	14.00	12.00	4665	CH33-60D-2F	⁴ G61MPV-60D-135	² 0.093 (11W11)
56,000	14.20	12.00	4665	CH33-62D-2F	⁴ G61MPV-60D-135	² 0.093 (11W11)
56,000	14.20	12.20	4585	CH33-60D-2F	⁴ G60UHV-60D-135	² 0.093 (11W11)
56,000	14.50	12.00	4585	CH33-62D-2F	⁴ G60UHV-60D-135	² 0.093 (11W11)
56,500	14.00	11.70	4720	CH33-49C-2F	⁴ G60UHV-60C-110	² 0.093 (11W11)
56,500	14.00	11.70	4765	CH33-49C-2F	⁴ G61MPV-60C-110	² 0.093 (11W11)
56,500	14.00	11.70	4745	CH33-50/60C-2F	⁴ G60UHV-60C-090	² 0.093 (11W11)
56,500	14.20	12.00	4710	CH33-49C-2F	⁴ G60UHV-60C-090	² 0.093 (11W11)
57,000	14.20	12.20	4675	CH23-68	⁴ G61MPV-60D-135	² 0.093 (11W11)
57,000	14.70	12.20	4595	CH23-68	⁴ G60UHV-60D-135	² 0.093 (11W11)

¹ Certified in accordance with USE certification program which is based on ARI Standard 210/240; 95°F outdoor air temperature, 80°F db / 67°F wb entering evaporator air with 25 ft. of connecting refrigerant lines.

² Factory installed RFC or expansion valve on indoor unit MUST be replaced with expansion valve kit (ordered separately) or RFC (shipped with air conditioner) shown.

³ Blower must be capable of time-off blower delay. Indoor Blower Off Delay Relay (58M81) is recommended for field installation.

⁴ Blower control must be set for a time-off blower delay.

⁵ Most popular indoor coil.

REVISIONS

Section	Description of Change
ARI Ratings	Miscellaneous changes.



Visit us at www.lennox.com
For the latest technical information, www.lennox.com
Contact us at 1-800-4-LENNOX

NOTE - Due to Lennox' ongoing commitment to quality, Specifications, Ratings and Dimensions subject to change without notice and without incurring liability. Improper installation, adjustment, alteration, service or maintenance can cause property damage or personal injury. Installation and service must be performed by a qualified installer and servicing agency.

©2007 Lennox Industries Inc.