



Air Conditioning & Heating

PRODUCT SPECIFICATIONS



16 SEER

2 TO 5 TON

COOLING CAPACITY: 24,000 TO 57,000 BTU/H

HEATING CAPACITY: 24,000 TO 57,000 BTU/H



SSZ16

HIGH-EFFICIENCY R-410A SPLIT SYSTEM HEAT PUMP

The Goodman® SSZ16 16 SEER Air Conditioner uses the environmentally friendly refrigerant R-410A and features energy efficiencies and operating sound levels that are among the best in the heating and cooling industry. R-410A is chlorine-free to help prevent damage to the ozone layer.

Standard Features

- R-410A environmentally friendly refrigerant
- High-efficiency Copeland® scroll compressor
Single-Stage — 2 through 4 tons
Two-Stage — 5 tons
- High- and low-pressure switches
- High-quality compressor sound blanket
- 850 RPM condenser fan motor
- Liquid refrigerant return protection
- Factory-installed, bi-flow liquid line filter dryer
- Service valves with sweat connections and gauge ports
- Copper tube/enhanced aluminum fin coil
- Reliable time-initiated, temperature-terminated defrost control
- Contactor with lug connection
- Ground lug connection
- ARI Certified; ETL Listed

Cabinet Features

- Unique Goodman® sound control top design
- Steel louver coil guard
- Heavy-gauge galvanized-steel cabinet
- Attractive Architectural Gray powder-paint finish with 500-hour salt-spray approval
- Top and side compressor and tubing access
- Service ports and controls are accessible while unit is operating

Contents

Nomenclature.....	2
Product Specifications.....	3
Expanded Cooling Data.....	4
Expanded Heating Data.....	12
ARI Performance Ratings.....	13
Dimensions.....	18
Wiring Diagrams.....	19
Accessories	22



NOMENCLATURE

	S	S	Z	16	036	1	A	A	
	1	2	3	4,5	6,7,8	9	10	11	
Brand							Engineering *		
G Goodman® (Standard Feature Set Models)							Minor Revision		
S Goodman® (High Feature Set Models)							Engineering *		
							Major Revision		
Product Category							Electrical		
S Split System							1 208/230 V, 1 Phase, 60 Hz		
							2 220/240 V, 1 Phase, 50 Hz		
							3 208/230 V, 3 Phase, 60 Hz		
							4 460 V, 3 Phase, 60 Hz		
							5 380/415 V, 3 Phase, 50 Hz		
Unit Type							Nominal Capacity		
C Condenser R-22							018 1½ Tons 048 4 Tons		
X Condenser R-410A							024 2 Tons 060 5 Tons		
H Heat Pump R-22							030 2½ Tons 090 7½ tons		
Z Heat Pump R-410A							036 3 Tons 120 10 Tons		
							042 3½ Tons		
Efficiency									
13 13 SEER									
14 14 SEER									
16 16 SEER									

* Neither used for order entry or inventory management.

Important EnergyStar Notice: Proper sizing and installation of equipment is critical to achieve optimal performance. Split system air conditioners and heat pumps must be matched with appropriate coil components to meet EnergyStar criteria. Ask your contractor for details or visit www.energystar.gov.

SPECIFICATIONS

	SSZ16 0241A	SSZ16 0361A	SSZ16 0481A	SSZ16 0601A
Capacities and Ratings				
Nominal Cooling (BTU/h)	24,000	36,000	48,000	60,000
Nominal Heating (BTU/h)	24,000	36,000	48,000	60,000
Decibels	70	71	72	72
Compressor				
RLA	13.4	14.1	19.8	25.6
LRA	58.3	77.0	109.0	118.0
Condenser Fan Motor				
Horsepower	1/6	1/6	1/6	1/6
FLA	1.10	1.10	1.10	1.00
Refrigeration System				
Refrigerant Line Size¹				
Liquid Line Size ("O.D.)	3/8"	3/8"	3/8"	3/8"
Suction Line Size ("O.D.)	3/4"	7/8"	1 1/8"	1 1/8"
Refrigerant Connection Size				
Liquid Valve Size ("O.D.)	3/8"	3/8"	3/8"	3/8"
Suction Valve Size ("O.D.)	3/4"	7/8"	7/8"	7/8"
Valve Connection Type	Sweat	Sweat	Sweat	Sweat
Refrigerant Charge	160	190	285	280
Electrical Data				
Volts / Hz / Phase	208/230-60-1	208/230-60-1	208/230-60-1	208/230-60-1
Minimum Circuit Ampacity ²	17.9	18.7	25.9	33
Max. Overcurrent Protection ³	30	30	40	50
Min / Max Volts	197/253	197/253	197/253	197/253
Electrical Conduit Size	1/2" or 3/4"	1/2" or 3/4"	1/2" or 3/4"	1/2" or 3/4"
Ship Weight (lbs)	282	282	282	296

¹ Tested and rated in accordance with ARI Standard 210/240

² Wire size should be determined in accordance with National Electrical Codes; extensive wire runs will require larger wire sizes

³ Must use time-delay fuses or HACR-type circuit breakers of the same size as noted.

Notes

- Always check the S&R plate for electrical data on the unit being installed.
- Installer will need to supply 7/8" to 1 1/8" adapters for suction line connections.
- Unit is charged with refrigerant for 15' of 3/8" liquid line. System charge must be adjusted per Installation Instructions Final Charge Procedure.
- Installation of these units requires the specified TXV Kit to be installed on the indoor coil. THE SPECIFIED TXV IS DETERMINED BY THE OUTDOOR UNIT NOT THE INDOOR COIL.

EXPANDED COOLING DATA — SSZ160241A* / CA*F3636*6A* + TXV / MBE1600** -1

IDB*	Airflow	Outdoor Ambient Temperature																							
		65°F				75°F				85°F				95°F				105°F				115°F			
		59	63	67	71	59	63	67	71	59	63	67	71	59	63	67	71	59	63	67	71	59	63	67	71
984	MBh	23.5	24.4	26.7	-	23.0	23.8	26.1	-	22.4	23.2	25.5	-	21.9	22.7	24.8	-	20.8	21.5	23.6	-	19.3	20.0	21.9	-
	S/T	0.78	0.65	0.45	-	0.81	0.68	0.47	-	0.83	0.69	0.48	-	0.86	0.72	0.50	-	0.89	0.74	0.52	-	0.90	0.75	0.52	-
	ΔT	17	15	11	-	17	15	11	-	17	15	11	-	18	15	12	-	17	15	11	-	16	14	11	-
	kW	1.44	1.47	1.51	-	1.55	1.58	1.63	-	1.64	1.68	1.73	-	1.73	1.77	1.82	-	1.80	1.84	1.90	-	1.86	1.91	1.97	-
	Amps	5.6	5.7	5.9	-	6.0	6.2	6.3	-	6.5	6.7	6.9	-	6.9	7.1	7.3	-	7.4	7.5	7.8	-	7.8	8.0	8.2	-
	Hi PR	213	230	242	-	239	258	272	-	272	293	309	-	310	334	352	-	349	375	396	-	385	415	438	-
	Lo PR	112	119	130	-	118	125	137	-	122	130	142	-	129	137	149	-	135	143	157	-	139	148	162	-
	MBh	22.8	23.7	25.9	-	22.3	23.1	25.3	-	21.8	22.6	24.7	-	21.2	22.0	24.1	-	20.2	20.9	22.9	-	18.7	19.4	21.2	-
	S/T	0.75	0.62	0.43	-	0.77	0.65	0.45	-	0.79	0.66	0.46	-	0.82	0.68	0.47	-	0.85	0.71	0.49	-	0.86	0.72	0.50	-
	ΔT	18	15	12	-	18	16	12	-	18	16	12	-	18	16	12	-	18	16	12	-	17	15	11	-
70	kW	1.43	1.46	1.50	-	1.54	1.57	1.62	-	1.63	1.67	1.72	-	1.72	1.75	1.81	-	1.79	1.83	1.89	-	1.85	1.89	1.95	-
	Amps	5.5	5.7	5.8	-	6.0	6.1	6.3	-	6.5	6.6	6.8	-	6.9	7.0	7.3	-	7.3	7.5	7.7	-	7.7	7.9	8.2	-
	Hi PR	211	227	240	-	237	255	269	-	270	290	306	-	307	330	349	-	345	372	392	-	382	411	434	-
	Lo PR	110	117	128	-	117	124	136	-	121	129	141	-	127	136	148	-	133	142	155	-	138	147	160	-
	MBh	21.1	21.8	23.9	-	20.6	21.3	23.4	-	20.1	20.8	22.8	-	19.6	20.3	22.3	-	18.6	19.3	21.1	-	17.3	17.9	19.6	-
	S/T	0.72	0.60	0.42	-	0.75	0.62	0.43	-	0.76	0.64	0.44	-	0.79	0.66	0.46	-	0.82	0.68	0.47	-	0.83	0.69	0.48	-
	ΔT	18	16	12	-	18	16	12	-	18	16	12	-	19	16	12	-	18	16	12	-	17	15	11	-
	kW	1.39	1.42	1.47	-	1.50	1.53	1.58	-	1.59	1.63	1.68	-	1.67	1.71	1.76	-	1.74	1.78	1.84	-	1.80	1.84	1.90	-
	Amps	5.4	5.5	5.7	-	5.8	5.9	6.1	-	6.3	6.4	6.6	-	6.7	6.9	7.1	-	7.1	7.3	7.5	-	7.5	7.7	7.9	-
	Hi PR	205	220	233	-	230	247	261	-	261	281	297	-	298	320	338	-	335	360	381	-	370	398	421	-
Lo PR	107	114	124	-	113	120	131	-	118	125	137	-	124	131	143	-	129	138	150	-	134	142	156	-	

984	MBh	23.9	24.6	26.7	28.6	23.4	24.1	26.0	27.9	22.8	23.5	25.4	27.3	22.2	22.9	24.8	26.6	21.1	21.8	23.6	25.3	19.6	20.2	21.8	23.4
	S/T	0.89	0.80	0.60	0.39	0.92	0.82	0.62	0.40	0.94	0.85	0.64	0.41	0.98	0.87	0.66	0.42	1.00	0.91	0.69	0.44	1.00	0.91	0.69	0.44
	ΔT	20	18	15	10	20	19	15	10	20	19	15	10	20	19	15	11	20	18	15	10	18	17	14	10
	kW	1.45	1.48	1.53	1.58	1.56	1.59	1.64	1.70	1.66	1.69	1.75	1.81	1.74	1.78	1.84	1.90	1.82	1.86	1.92	1.98	1.88	1.92	1.99	2.05
	Amps	5.6	5.8	5.9	6.2	6.1	6.2	6.4	6.6	6.6	6.7	6.9	7.2	7.0	7.2	7.4	7.7	7.4	7.6	7.9	8.1	7.9	8.0	8.3	8.6
	Hi PR	215	232	245	255	242	260	275	287	275	296	312	326	313	337	356	371	352	379	400	418	389	419	442	461
	Lo PR	113	120	131	139	119	127	138	147	124	132	144	153	130	138	151	161	136	145	158	168	141	150	164	174
	MBh	23.2	23.9	25.9	27.8	22.7	23.4	25.3	27.1	22.1	22.8	24.7	26.5	21.6	22.2	24.1	25.8	20.5	21.1	22.9	24.5	19.0	19.6	21.2	22.7
	S/T	0.85	0.76	0.57	0.37	0.88	0.79	0.59	0.38	0.90	0.81	0.61	0.39	0.93	0.83	0.63	0.41	0.97	0.86	0.65	0.42	0.97	0.87	0.66	0.42
	ΔT	21	19	16	11	21	19	16	11	21	19	16	11	21	19	16	11	21	19	16	11	19	18	15	10
75	kW	1.44	1.47	1.51	1.56	1.55	1.58	1.63	1.68	1.64	1.68	1.73	1.79	1.73	1.77	1.83	1.89	1.80	1.84	1.90	1.97	1.86	1.91	1.97	2.04
	Amps	5.6	5.7	5.9	6.1	6.0	6.2	6.3	6.6	6.5	6.7	6.9	7.1	6.9	7.1	7.3	7.6	7.4	7.5	7.8	8.1	7.8	8.0	8.2	8.5
	Hi PR	213	230	242	253	239	258	272	284	272	293	309	323	310	334	352	368	349	375	396	413	385	415	438	457
	Lo PR	112	119	130	138	118	125	137	146	122	130	142	152	129	137	149	159	135	143	157	167	139	148	162	173
	MBh	21.4	22.1	23.9	25.6	20.9	21.6	23.3	25.0	20.4	21.0	22.8	24.4	19.9	20.5	22.2	23.8	18.9	19.5	21.1	22.7	17.5	18.1	19.6	21.0
	S/T	0.82	0.73	0.55	0.36	0.85	0.76	0.57	0.37	0.87	0.78	0.59	0.38	0.90	0.80	0.61	0.39	0.93	0.83	0.63	0.41	0.94	0.84	0.64	0.41
	ΔT	21	19	16	11	21	20	16	11	21	20	16	11	21	20	16	11	21	19	16	11	20	18	15	10
	kW	1.40	1.43	1.48	1.53	1.51	1.54	1.59	1.64	1.60	1.64	1.69	1.75	1.69	1.72	1.78	1.84	1.76	1.80	1.85	1.92	1.82	1.86	1.92	1.98
	Amps	5.4	5.6	5.7	5.9	5.9	6.0	6.2	6.4	6.3	6.5	6.7	6.9	6.8	6.9	7.1	7.4	7.2	7.3	7.6	7.9	7.6	7.8	8.0	8.3
	Hi PR	207	223	235	245	232	250	264	275	264	284	300	313	301	324	342	357	338	364	385	401	374	402	425	443
Lo PR	108	115	126	134	114	122	133	141	119	126	138	147	125	133	145	154	131	139	152	162	135	144	157	167	

Shaded area is ACCA (TVA) conditions IDB: Entering Indoor Dry Bulb Temperature kW = Total system power Amps = outdoor unit amps (comp.+fan)
 High and low pressures are measured at the liquid and suction service valves. Design Subcooling 7 ± 2 °F @ the liquid service valve; ARI 95 °F test conditions

EXPANDED COOLING DATA — SSZ160241A* / CA*F3636*6A* + TXV / MBE1600** -1 (CONT.)

IDB*	Airflow	Outdoor Ambient Temperature																							
		65°F				75°F				85°F				95°F				105°F				115°F			
		59	63	67	71	59	63	67	71	59	63	67	71	59	63	67	71	59	63	67	71	59	63	67	71
984	MBh	24.3	24.9	26.6	28.4	23.8	24.3	26.0	27.7	23.2	23.7	25.3	27.1	22.6	23.1	24.7	26.4	21.5	22.0	23.5	25.1	19.9	20.4	21.8	23.3
	S/T	1.00	0.91	0.74	0.56	1.00	0.95	0.77	0.58	1.00	1.00	0.79	0.59	1.00	1.00	0.82	0.61	1.00	1.00	0.85	0.63	1.00	1.00	0.85	0.64
	ΔT	23	21	18	15	22	22	19	15	22	22	19	15	21	22	19	15	20	21	19	15	19	19	17	14
	kW	1.46	1.49	1.54	1.59	1.57	1.61	1.66	1.71	1.67	1.71	1.76	1.82	1.76	1.80	1.86	1.92	1.83	1.87	1.93	2.00	1.90	1.94	2.00	2.07
	Amps	5.7	5.8	6.0	6.2	6.1	6.3	6.5	6.7	6.6	6.8	7.0	7.2	7.1	7.2	7.5	7.7	7.5	7.7	7.9	8.2	7.9	8.1	8.4	8.7
	Hi PR	218	234	247	258	244	263	278	289	278	299	316	329	316	340	360	375	356	383	404	422	393	423	447	466
	Lo PR	114	121	132	141	120	128	140	149	125	133	145	155	131	140	152	162	138	146	160	170	142	151	165	176
	MBh	23.6	24.1	25.8	27.6	23.1	23.6	25.2	26.9	22.5	23.0	24.6	26.3	22.0	22.5	24.0	25.7	20.9	21.3	22.8	24.4	19.3	19.8	21.1	22.6
	S/T	0.93	0.87	0.71	0.53	0.96	0.90	0.74	0.55	0.99	0.93	0.75	0.56	1.00	0.96	0.78	0.58	1.00	0.99	0.81	0.60	1.00	1.00	0.82	0.61
	ΔT	23	22	19	15	23	22	19	16	23	22	20	16	23	23	20	16	22	22	19	15	20	21	18	14
80	kW	1.45	1.48	1.53	1.58	1.56	1.59	1.64	1.70	1.66	1.69	1.75	1.81	1.74	1.78	1.84	1.90	1.82	1.86	1.92	1.98	1.88	1.92	1.99	2.05
	Amps	5.6	5.8	5.9	6.2	6.1	6.2	6.4	6.6	6.6	6.7	6.9	7.2	7.0	7.2	7.4	7.7	7.4	7.6	7.9	8.1	7.9	8.0	8.3	8.6
	Hi PR	216	232	245	255	242	260	275	287	275	296	313	326	313	337	356	371	352	379	400	418	389	419	442	461
	Lo PR	113	120	131	139	119	127	138	147	124	132	144	153	130	138	151	161	136	145	158	168	141	150	164	174
	MBh	21.8	22.3	23.8	25.5	21.3	21.8	23.3	24.9	20.8	21.3	22.7	24.3	20.3	20.7	22.2	23.7	19.3	19.7	21.0	22.5	17.9	18.2	19.5	20.8
	S/T	0.90	0.84	0.68	0.51	0.93	0.87	0.71	0.53	0.95	0.89	0.73	0.54	0.98	0.92	0.75	0.56	1.02	0.96	0.78	0.58	1.03	0.97	0.79	0.59
	ΔT	23	23	20	16	24	23	20	16	24	23	20	16	24	23	20	16	24	23	20	16	22	21	18	15
	kW	1.42	1.45	1.49	1.54	1.52	1.56	1.60	1.66	1.62	1.65	1.71	1.76	1.70	1.74	1.79	1.85	1.77	1.81	1.87	1.93	1.83	1.87	1.94	2.00
	Amps	5.5	5.6	5.8	6.0	5.9	6.0	6.2	6.5	6.4	6.5	6.8	7.0	6.8	7.0	7.2	7.5	7.2	7.4	7.6	7.9	7.6	7.8	8.1	8.4
	Hi PR	209	225	238	248	235	252	267	278	267	287	303	316	304	327	345	360	342	368	388	405	378	406	429	448
Lo PR	109	116	127	135	115	123	134	143	120	128	139	148	126	134	146	156	132	141	153	163	137	145	159	169	

984	MBh	24.8	25.2	26.4	28.2	24.2	24.7	25.8	27.6	23.6	24.1	25.2	26.9	23.0	23.5	24.6	26.2	21.9	22.3	23.4	24.9	20.3	20.7	21.6	23.1
	S/T	1.00	0.99	0.89	0.72	1.00	1.00	0.92	0.75	1.00	1.00	0.95	0.77	1.00	1.00	0.98	0.79	1.00	1.00	1.00	0.82	1.00	1.00	1.00	0.83
	ΔT	23	23	22	19	23	23	22	19	22	22	22	19	22	22	22	19	20	21	22	19	19	19	20	18
	kW	1.47	1.50	1.55	1.60	1.59	1.62	1.67	1.73	1.69	1.72	1.78	1.84	1.77	1.81	1.87	1.93	1.85	1.89	1.95	2.02	1.91	1.95	2.02	2.09
	Amps	5.7	5.9	6.0	6.3	6.2	6.3	6.5	6.7	6.7	6.8	7.1	7.3	7.1	7.3	7.5	7.8	7.6	7.7	8.0	8.3	8.0	8.2	8.5	8.8
	Hi PR	220	237	250	261	247	265	280	292	281	302	319	333	320	344	363	379	359	387	408	426	397	427	451	471
	Lo PR	115	122	134	142	121	129	141	150	126	134	147	156	133	141	154	164	139	148	161	172	144	153	167	178
	MBh	24.0	24.5	25.7	27.4	23.5	23.9	25.1	26.8	22.9	23.4	24.5	26.1	22.4	22.8	23.9	25.5	21.2	21.7	22.7	24.2	19.7	20.1	21.0	22.4
	S/T	0.98	0.94	0.85	0.69	1.00	0.97	0.88	0.71	1.00	1.00	0.90	0.73	1.00	1.00	0.93	0.76	1.00	1.00	0.97	0.78	1.00	1.00	0.97	0.79
	ΔT	25	24	23	20	25	25	23	20	24	25	23	20	24	24	23	20	22	23	23	20	21	21	22	19
85	kW	1.46	1.49	1.54	1.59	1.57	1.61	1.66	1.71	1.67	1.71	1.76	1.82	1.76	1.80	1.86	1.92	1.83	1.87	1.93	2.00	1.90	1.94	2.00	2.07
	Amps	5.7	5.8	6.0	6.2	6.1	6.3	6.5	6.7	6.6	6.8	7.0	7.2	7.1	7.2	7.5	7.7	7.5	7.7	7.9	8.2	7.9	8.1	8.4	8.7
	Hi PR	218	234	247	258	244	263	278	289	278	299	316	329	316	340	360	375	356	383	404	422	393	423	447	466
	Lo PR	114	121	132	141	120	128	140	149	125	133	145	155	131	140	152	162	138	146	160	170	142	151	165	176
	MBh	22.2	22.6	23.7	25.3	21.7	22.1	23.1	24.7	21.2	21.6	22.6	24.1	20.6	21.0	22.0	23.5	19.6	20.0	20.9	22.3	18.2	18.5	19.4	20.7
	S/T	0.94	0.91	0.82	0.66	0.97	0.94	0.85	0.69	1.00	0.96	0.87	0.71	1.00	1.00	0.90	0.73	1.00	1.00	0.93	0.76	1.00	1.00	0.94	0.76
	ΔT	25	25	23	20	25	25	24	20	25	25	24	20	25	25	24	21	24	24	23	20	22	22	22	19
	kW	1.43	1.46	1.50	1.55	1.54	1.57	1.62	1.67	1.63	1.67	1.72	1.78	1.72	1.75	1.81	1.87	1.79	1.83	1.89	1.95	1.85	1.89	1.95	2.02
	Amps	5.5	5.7	5.8	6.0	6.0	6.1	6.3	6.5	6.5	6.6	6.8	7.1	6.9	7.0	7.3	7.5	7.3	7.5	7.7	8.0	7.7	7.9	8.2	8.5
	Hi PR	211	227	240	250	237	255	269	281	269	290	306	319	307	330	349	364	345	372	392	409	381	410	433	452
Lo PR	110	117	128	137	117	124	135	144	121	129	141	150	127	135	148	157	133	142	155	165	138	147	160	171	

Shaded area is ARI Rating Conditions IDB: Entering Indoor Dry Bulb Temperature IDB = Total system power kW = outdoor unit amps (comp.+fan)
 High and low pressures are measured at the liquid and suction service valves. Design Subcooling 7 ± 2 °F @ the liquid service valve; ARI 95 °F test conditions

EXPANDED COOLING DATA — SSZ160361A* / CA*F4860*6A* + TXV / MBE2000** -1

IDB*	Airflow	Outdoor Ambient Temperature																							
		65°F				75°F				85°F				95°F				105°F				115°F			
		59	63	67	71	59	63	67	71	59	63	67	71	59	63	67	71	59	63	67	71	59	63	67	71
70	MBh	33.9	35.1	38.5	-	33.1	34.3	37.6	-	32.3	33.5	36.7	-	31.5	32.7	35.8	-	30.0	31.1	34.0	-	27.8	28.8	31.5	-
	S/T	0.76	0.63	0.44	-	0.79	0.66	0.46	-	0.81	0.67	0.47	-	0.83	0.70	0.48	-	0.86	0.72	0.50	-	0.87	0.73	0.50	-
	ΔT	18	15	12	-	18	15	12	-	18	15	12	-	18	15	12	-	18	15	12	-	16	14	11	-
	kW	1.98	2.03	2.09	-	2.14	2.19	2.26	-	2.28	2.33	2.40	-	2.40	2.45	2.53	-	2.50	2.56	2.64	-	2.59	2.65	2.74	-
	Amps	7.7	7.9	8.2	-	8.3	8.5	8.8	-	9.0	9.3	9.6	-	9.6	9.9	10.2	-	10.3	10.5	10.9	-	10.9	11.1	11.5	-
	Hi PR	217	233	246	-	243	261	276	-	276	297	314	-	315	339	358	-	354	381	402	-	391	421	445	-
	Lo PR	108	115	126	-	114	122	133	-	119	126	138	-	125	133	145	-	131	139	152	-	135	144	157	-
	MBh	32.9	34.1	37.4	-	32.2	33.3	36.5	-	31.4	32.5	35.6	-	30.6	31.7	34.8	-	29.1	30.2	33.0	-	26.9	27.9	30.6	-
	S/T	0.72	0.60	0.42	-	0.75	0.63	0.43	-	0.77	0.64	0.45	-	0.79	0.66	0.46	-	0.82	0.69	0.48	-	0.83	0.69	0.48	-
	ΔT	18	16	12	-	18	16	12	-	19	16	12	-	19	16	12	-	18	16	12	-	17	15	11	-
	kW	1.97	2.01	2.07	-	2.12	2.17	2.24	-	2.26	2.31	2.38	-	2.38	2.43	2.51	-	2.48	2.53	2.62	-	2.57	2.62	2.71	-
	Amps	7.7	7.8	8.1	-	8.3	8.5	8.7	-	9.0	9.2	9.5	-	9.6	9.8	10.1	-	10.2	10.4	10.8	-	10.8	11.0	11.4	-
Hi PR	214	231	244	-	241	259	273	-	274	294	311	-	312	335	354	-	351	377	398	-	387	417	440	-	
Lo PR	107	114	124	-	113	120	131	-	118	125	137	-	124	131	143	-	129	138	150	-	134	142	156	-	
MBh	30.4	31.5	34.5	-	29.7	30.8	33.7	-	29.0	30.0	32.9	-	28.3	29.3	32.1	-	26.9	27.8	30.5	-	24.9	25.8	28.2	-	
S/T	0.70	0.58	0.40	-	0.72	0.60	0.42	-	0.74	0.62	0.43	-	0.77	0.64	0.44	-	0.79	0.66	0.46	-	0.80	0.67	0.46	-	
ΔT	19	16	12	-	19	16	12	-	19	16	12	-	19	16	12	-	19	16	12	-	17	15	11	-	
kW	1.92	1.96	2.02	-	2.07	2.11	2.18	-	2.20	2.25	2.32	-	2.32	2.37	2.45	-	2.42	2.47	2.55	-	2.50	2.56	2.64	-	
Amps	7.4	7.6	7.9	-	8.0	8.2	8.5	-	8.7	8.9	9.2	-	9.3	9.5	9.8	-	9.9	10.1	10.5	-	10.5	10.7	11.1	-	
Hi PR	208	224	236	-	233	251	265	-	265	286	302	-	302	325	343	-	340	366	386	-	376	404	427	-	
Lo PR	104	111	121	-	110	117	127	-	114	121	132	-	120	127	139	-	126	134	146	-	130	138	151	-	
75	MBh	34.5	35.5	38.4	41.2	33.7	34.7	37.5	40.3	32.9	33.8	36.6	39.3	32.1	33.0	35.7	38.4	30.5	31.4	34.0	36.4	28.2	29.1	31.5	33.8
	S/T	0.86	0.77	0.58	0.38	0.89	0.80	0.61	0.39	0.92	0.82	0.62	0.40	0.95	0.85	0.64	0.41	0.98	0.88	0.67	0.43	0.99	0.89	0.67	0.43
	ΔT	20	19	15	11	21	19	15	11	21	19	15	11	21	19	16	11	20	19	15	11	19	18	14	10
	kW	2.00	2.04	2.11	2.18	2.16	2.20	2.28	2.35	2.29	2.35	2.42	2.51	2.42	2.47	2.55	2.64	2.52	2.58	2.66	2.76	2.61	2.67	2.76	2.86
	Amps	7.8	8.0	8.2	8.5	8.4	8.6	8.9	9.2	9.1	9.3	9.6	10.0	9.7	10.0	10.3	10.7	10.4	10.6	11.0	11.4	11.0	11.2	11.6	12.0
	Hi PR	219	235	249	259	245	264	279	291	279	300	317	331	318	342	361	377	358	385	406	424	395	425	449	468
	Lo PR	109	116	127	135	115	123	134	143	120	128	139	148	126	134	146	156	132	141	153	163	137	145	159	169
	MBh	33.5	34.5	37.3	40.0	32.7	33.7	36.4	39.1	31.9	32.9	35.6	38.2	31.1	32.1	34.7	37.2	29.6	30.5	33.0	35.4	27.4	28.2	30.5	32.8
	S/T	0.82	0.74	0.56	0.36	0.85	0.76	0.58	0.37	0.87	0.78	0.59	0.38	0.90	0.81	0.61	0.39	0.94	0.84	0.63	0.41	0.94	0.85	0.64	0.41
	ΔT	21	19	16	11	21	20	16	11	21	20	16	11	22	20	16	11	21	20	16	11	20	18	15	10
	kW	1.98	2.03	2.09	2.16	2.14	2.19	2.26	2.33	2.28	2.33	2.40	2.48	2.40	2.45	2.53	2.62	2.50	2.56	2.64	2.73	2.59	2.65	2.74	2.83
	Amps	7.7	7.9	8.2	8.5	8.3	8.5	8.8	9.1	9.0	9.3	9.6	9.9	9.6	9.9	10.2	10.6	10.3	10.5	10.9	11.3	10.9	11.1	11.5	11.9
Hi PR	217	233	246	257	243	261	276	288	276	297	314	328	315	339	358	373	354	381	402	420	391	421	445	464	
Lo PR	108	115	126	134	114	122	133	141	119	126	138	147	125	133	145	154	131	139	152	162	135	144	157	167	
MBh	30.9	31.8	34.4	37.0	30.2	31.1	33.6	36.1	29.5	30.3	32.8	35.2	28.7	29.6	32.0	34.4	27.3	28.1	30.4	32.7	25.3	26.0	28.2	30.3	
S/T	0.79	0.71	0.54	0.35	0.82	0.74	0.56	0.36	0.84	0.75	0.57	0.37	0.87	0.78	0.59	0.38	0.90	0.81	0.61	0.39	0.91	0.81	0.62	0.40	
ΔT	21	20	16	11	22	20	16	11	22	20	16	11	22	20	17	11	22	20	16	11	20	19	15	11	
kW	1.94	1.98	2.04	2.11	2.09	2.13	2.20	2.27	2.22	2.27	2.34	2.42	2.34	2.39	2.47	2.55	2.44	2.49	2.57	2.66	2.52	2.58	2.67	2.76	
Amps	7.5	7.7	7.9	8.2	8.1	8.3	8.6	8.9	8.8	9.0	9.3	9.6	9.4	9.6	9.9	10.3	10.0	10.2	10.6	11.0	10.6	10.8	11.2	11.6	
Hi PR	210	226	239	249	236	254	268	279	268	288	305	318	305	329	347	362	343	370	390	407	380	408	431	450	
Lo PR	105	112	122	130	111	118	129	137	115	123	134	143	121	129	141	150	127	135	147	157	131	140	152	162	

Shaded area is ACCA (TVA) conditions IDB: Entering Indoor Dry Bulb Temperature kW = Total system power Amps = outdoor unit amps (comp.+fan)
 High and low pressures are measured at the liquid and suction service valves. Design Subcooling 7 ± 2 °F @ the liquid service valve; ARI 95 °F test conditions

EXPANDED COOLING DATA — SSZ160361A* / CA*F4860*6A* + TXV / MBE2000** -1 (CONT.)

IDB*	Airflow	Outdoor Ambient Temperature																								
		65°F				75°F				85°F				95°F				105°F				115°F				
		59	63	67	71	59	63	67	71	59	63	67	71	59	63	67	71	59	63	67	71	59	63	67	71	
80	1350	MBh	35.1	35.9	38.3	41.0	34.3	35.0	37.4	40.0	33.5	34.2	36.5	39.0	32.6	33.4	35.6	38.1	31.0	31.7	33.9	36.2	28.7	29.4	31.4	33.5
		S/T	0.95	0.89	0.72	0.54	1.00	0.92	0.75	0.56	1.00	0.94	0.77	0.57	1.00	1.00	0.79	0.59	1.00	1.00	0.82	0.61	1.00	1.00	0.83	0.62
	ΔT	23	22	19	15	23	22	19	15	23	22	19	15	22	23	19	15	21	22	19	15	20	20	18	14	
	kW	2.02	2.06	2.13	2.20	2.17	2.22	2.29	2.37	2.32	2.37	2.44	2.53	2.44	2.49	2.58	2.66	2.54	2.60	2.69	2.78	2.63	2.69	2.78	2.88	
	Amps	7.9	8.0	8.3	8.6	8.5	8.7	9.0	9.3	9.2	9.4	9.7	10.1	9.8	10.1	10.4	10.8	10.4	10.7	11.1	11.5	11.1	11.3	11.7	12.2	
	Hi PR	221	238	251	262	248	267	282	294	282	303	320	334	321	346	365	381	361	389	411	428	399	430	454	473	
	Lo PR	110	117	128	137	117	124	135	144	121	129	141	150	127	135	148	157	133	142	155	165	138	147	160	171	
	MBh	34.1	34.8	37.2	39.8	33.3	34.0	36.3	38.8	32.5	33.2	35.5	37.9	31.7	32.4	34.6	37.0	30.1	30.8	32.9	35.1	27.9	28.5	30.4	32.5	
	S/T	0.90	0.85	0.69	0.51	0.94	0.88	0.71	0.53	0.96	0.90	0.73	0.55	0.99	0.93	0.76	0.56	1.00	0.96	0.78	0.59	1.00	0.97	0.79	0.59	
	ΔT	24	23	20	16	24	23	20	16	24	23	20	16	24	23	20	16	23	23	20	16	21	21	18	15	
kW	2.00	2.04	2.11	2.18	2.16	2.20	2.28	2.35	2.30	2.35	2.42	2.51	2.42	2.47	2.55	2.64	2.52	2.58	2.66	2.76	2.61	2.67	2.76	2.86		
Amps	7.8	8.0	8.2	8.5	8.4	8.6	8.9	9.2	9.1	9.3	9.6	10.0	9.7	10.0	10.3	10.7	10.4	10.6	11.0	11.4	11.0	11.2	11.6	12.0		
Hi PR	219	235	249	259	245	264	279	291	279	300	317	331	318	342	361	377	358	385	406	424	395	425	449	468		
Lo PR	109	116	127	135	115	123	134	143	120	128	139	148	126	134	146	156	132	141	153	163	137	145	159	169		
MBh	31.4	32.1	34.3	36.7	30.7	31.4	33.5	35.8	30.0	30.6	32.7	35.0	29.3	29.9	31.9	34.1	27.8	28.4	30.3	32.4	25.7	26.3	28.1	30.0		
S/T	0.87	0.82	0.66	0.50	0.90	0.85	0.69	0.51	0.92	0.87	0.71	0.53	0.95	0.90	0.73	0.54	0.99	0.93	0.76	0.57	1.00	0.94	0.76	0.57		
ΔT	24	23	20	16	24	23	20	16	24	23	20	16	24	23	20	16	24	23	20	16	23	22	19	15		
kW	1.95	1.99	2.06	2.12	2.10	2.15	2.22	2.29	2.24	2.29	2.36	2.44	2.36	2.41	2.49	2.57	2.46	2.51	2.60	2.68	2.54	2.60	2.69	2.78		
Amps	7.6	7.8	8.0	8.3	8.2	8.4	8.6	9.0	8.9	9.1	9.4	9.7	9.5	9.7	10.0	10.4	10.1	10.3	10.7	11.1	10.7	10.9	11.3	11.7		
Hi PR	212	228	241	251	238	256	271	282	271	291	308	321	308	332	350	366	347	373	394	411	383	413	436	454		
Lo PR	106	113	123	131	112	119	130	139	116	124	135	144	122	130	142	151	128	136	149	158	133	141	154	164		

85	1350	MBh	35.71	36.40	38.12	40.67	34.88	35.55	37.23	39.72	34.04	34.70	36.35	38.78	33.21	33.86	35.46	37.83	31.55	32.16	33.69	35.94	29.23	29.79	31.20	33.29
		S/T	0.99	0.96	0.86	0.70	1.00	0.99	0.90	0.73	1.00	1.00	0.92	0.74	1.00	1.00	0.95	0.77	1.00	1.00	0.98	0.80	1.00	1.00	0.99	0.80
	ΔT	24	24	22	19	24	24	23	20	23	24	23	20	23	23	23	20	21	22	23	20	20	20	20	18	
	kW	2.03	2.08	2.14	2.21	2.19	2.24	2.31	2.39	2.33	2.39	2.46	2.55	2.46	2.51	2.60	2.69	2.56	2.62	2.71	2.80	2.66	2.72	2.81	2.91	
	Amps	7.9	8.1	8.4	8.7	8.6	8.8	9.0	9.4	9.3	9.5	9.8	10.2	9.9	10.2	10.5	10.9	10.5	10.8	11.2	11.6	11.2	11.4	11.8	12.3	
	Hi PR	223	240	254	264	250	269	285	297	285	306	324	338	324	349	369	384	365	393	415	432	403	434	458	478	
	Lo PR	111	119	129	138	118	125	137	146	122	130	142	151	129	137	149	159	135	143	157	167	139	148	162	172	
	MBh	34.7	35.3	37.0	39.5	33.9	34.5	36.1	38.6	33.1	33.7	35.3	37.6	32.2	32.9	34.4	36.7	30.6	31.2	32.7	34.9	28.4	28.9	30.3	32.3	
	S/T	0.95	0.91	0.82	0.67	0.98	0.95	0.85	0.69	1.00	0.97	0.88	0.71	1.00	1.00	0.90	0.73	1.00	1.00	0.94	0.76	1.00	1.00	0.95	0.77	
	ΔT	25	25	23	20	25	25	24	20	25	25	24	20	25	25	24	21	23	24	24	20	22	22	22	19	
kW	2.02	2.06	2.13	2.20	2.17	2.22	2.29	2.37	2.31	2.37	2.44	2.53	2.44	2.49	2.58	2.66	2.54	2.60	2.69	2.78	2.63	2.69	2.78	2.88		
Amps	7.9	8.0	8.3	8.6	8.5	8.7	9.0	9.3	9.2	9.4	9.7	10.1	9.8	10.1	10.4	10.8	10.4	10.7	11.1	11.5	11.1	11.3	11.7	12.2		
Hi PR	221	238	251	262	248	267	282	294	282	303	320	334	321	346	365	381	361	389	411	428	399	430	454	473		
Lo PR	110	117	128	137	117	124	135	144	121	129	141	150	127	135	148	157	133	142	155	165	138	147	160	171		
MBh	32.0	32.6	34.2	36.4	31.3	31.9	33.4	35.6	30.5	31.1	32.6	34.7	29.8	30.3	31.8	33.9	28.3	28.8	30.2	32.2	26.2	26.7	28.0	29.8		
S/T	0.91	0.88	0.79	0.64	0.95	0.91	0.82	0.67	0.97	0.94	0.84	0.69	1.00	0.97	0.87	0.71	1.00	1.00	0.90	0.73	1.00	1.00	0.91	0.74		
ΔT	26	25	24	21	26	25	24	21	26	25	24	21	26	26	24	21	25	25	24	21	23	23	22	19		
kW	1.97	2.01	2.07	2.14	2.12	2.17	2.24	2.31	2.26	2.31	2.38	2.46	2.38	2.43	2.51	2.60	2.48	2.53	2.62	2.71	2.57	2.62	2.71	2.81		
Amps	7.6	7.8	8.1	8.4	8.3	8.4	8.7	9.0	9.0	9.2	9.5	9.8	9.6	9.8	10.1	10.5	10.2	10.4	10.8	11.2	10.8	11.0	11.4	11.8		
Hi PR	214	231	244	254	240	259	273	285	273	294	311	324	311	335	354	369	350	377	398	415	387	417	440	459		
Lo PR	107	114	124	132	113	120	131	140	118	125	137	145	123	131	143	153	129	138	150	160	134	142	155	166		

Shaded area is ARI Rating Conditions IDB: Entering Indoor Dry Bulb Temperature kW = Total system power Amps = outdoor unit amps (comp.+fan)
 High and low pressures are measured at the liquid and suction service valves. Design Subcooling 7 ± 2 °F @ the liquid service valve; ARI 95 °F test conditions

EXPANDED COOLING DATA — SSZ160481A* / CA*F4860*6A* + TXV / MBE2000** -1

IDB*	Airflow	Outdoor Ambient Temperature																							
		65°F				75°F				85°F				95°F				105°F				115°F			
		59	63	67	71	59	63	67	71	59	63	67	71	59	63	67	71	59	63	67	71	59	63	67	71
70	MBh	46.5	48.2	52.9	-	45.5	47.1	51.6	-	44.4	46.0	50.4	-	43.3	44.9	49.2	-	41.1	42.6	46.7	-	38.1	39.5	43.3	-
	S/T	0.77	0.64	0.45	-	0.80	0.67	0.46	-	0.82	0.69	0.47	-	0.85	0.71	0.49	-	0.88	0.73	0.51	-	0.89	0.74	0.51	-
	ΔT	19	16	12	-	19	17	13	-	19	17	13	-	19	17	13	-	19	16	13	-	18	15	12	-
	kW	2.68	2.73	2.82	-	2.88	2.94	3.04	-	3.06	3.13	3.23	-	3.22	3.29	3.40	-	3.35	3.43	3.54	-	3.47	3.55	3.66	-
	Amps	10.2	10.4	10.8	-	11.0	11.3	11.6	-	11.9	12.2	12.6	-	12.8	13.1	13.5	-	13.6	13.9	14.4	-	14.4	14.8	15.3	-
	Hi PR	213	229	242	-	239	257	271	-	272	292	309	-	309	333	351	-	348	374	395	-	384	414	437	-
	Lo PR	110	117	128	-	116	124	135	-	121	128	140	-	127	135	147	-	133	141	154	-	137	146	160	-
	MBh	45.2	46.8	51.3	-	44.1	45.7	50.1	-	43.1	44.7	48.9	-	42.0	43.6	47.7	-	39.9	41.4	45.4	-	37.0	38.3	42.0	-
	S/T	0.74	0.61	0.43	-	0.76	0.64	0.44	-	0.78	0.65	0.45	-	0.81	0.67	0.47	-	0.84	0.70	0.48	-	0.85	0.71	0.49	-
	ΔT	20	17	13	-	20	17	13	-	20	17	13	-	20	17	13	-	20	17	13	-	19	16	12	-
	kW	2.66	2.71	2.80	-	2.86	2.92	3.01	-	3.04	3.10	3.20	-	3.19	3.26	3.37	-	3.33	3.40	3.51	-	3.44	3.52	3.63	-
	Amps	10.1	10.3	10.7	-	10.9	11.2	11.5	-	11.8	12.1	12.5	-	12.7	13.0	13.4	-	13.5	13.8	14.3	-	14.3	14.6	15.1	-
Hi PR	211	227	239	-	236	254	269	-	269	289	306	-	306	330	348	-	345	371	391	-	381	410	433	-	
Lo PR	109	116	126	-	115	122	134	-	119	127	139	-	126	134	146	-	132	140	153	-	136	145	158	-	
MBh	41.7	43.2	47.4	-	40.7	42.2	46.3	-	39.8	41.2	45.2	-	38.8	40.2	44.1	-	36.9	38.2	41.9	-	34.1	35.4	38.8	-	
S/T	0.71	0.59	0.41	-	0.74	0.61	0.43	-	0.75	0.63	0.44	-	0.78	0.65	0.45	-	0.81	0.67	0.47	-	0.81	0.68	0.47	-	
ΔT	20	17	13	-	20	18	13	-	20	18	13	-	20	18	13	-	20	17	13	-	19	16	12	-	
kW	2.60	2.65	2.73	-	2.79	2.85	2.94	-	2.96	3.03	3.12	-	3.11	3.18	3.28	-	3.24	3.31	3.42	-	3.35	3.43	3.54	-	
Amps	9.8	10.0	10.4	-	10.6	10.9	11.2	-	11.5	11.8	12.2	-	12.3	12.6	13.0	-	13.1	13.4	13.9	-	13.9	14.2	14.7	-	
Hi PR	204	220	232	-	229	247	261	-	261	281	296	-	297	320	338	-	334	360	380	-	369	397	420	-	
Lo PR	106	112	123	-	112	119	130	-	116	123	135	-	122	130	141	-	128	136	148	-	132	140	153	-	
75	MBh	47.3	48.7	52.8	56.6	46.2	47.6	51.5	55.3	45.1	46.5	50.3	54.0	44.0	45.3	49.1	52.7	41.8	43.1	46.6	50.0	38.7	39.9	43.2	46.3
	S/T	0.88	0.78	0.59	0.38	0.91	0.81	0.62	0.40	0.93	0.83	0.63	0.41	0.96	0.86	0.65	0.42	1.00	0.89	0.68	0.44	1.00	0.90	0.68	0.44
	ΔT	22	20	17	11	22	20	17	12	22	20	17	12	22	21	17	12	22	20	17	11	20	19	16	11
	kW	2.70	2.76	2.84	2.93	2.90	2.97	3.06	3.16	3.09	3.15	3.25	3.36	3.25	3.32	3.42	3.54	3.38	3.46	3.57	3.69	3.50	3.58	3.69	3.82
	Amps	10.3	10.5	10.9	11.3	11.1	11.4	11.7	12.2	12.1	12.4	12.8	13.2	12.9	13.2	13.6	14.2	13.7	14.1	14.5	15.1	14.5	14.9	15.4	16.0
	Hi PR	215	231	244	255	241	260	274	286	274	295	312	325	312	336	355	370	352	378	399	417	388	418	441	460
	Lo PR	111	118	129	137	117	125	136	145	122	130	142	151	128	136	149	158	134	143	156	166	139	148	161	172
	MBh	46.0	47.3	51.2	55.0	44.9	46.2	50.0	53.7	43.8	45.1	48.8	52.4	42.8	44.0	47.6	51.1	40.6	41.8	45.3	48.6	37.6	38.7	41.9	45.0
	S/T	0.84	0.75	0.57	0.36	0.87	0.78	0.59	0.38	0.89	0.80	0.60	0.39	0.92	0.82	0.62	0.40	0.95	0.85	0.64	0.41	0.96	0.86	0.65	0.42
	ΔT	23	21	17	12	23	21	17	12	23	21	17	12	23	21	18	12	23	21	17	12	21	20	16	11
	kW	2.68	2.73	2.82	2.91	2.88	2.94	3.04	3.13	3.06	3.13	3.23	3.33	3.22	3.29	3.40	3.51	3.35	3.43	3.54	3.66	3.47	3.55	3.66	3.79
	Amps	10.2	10.4	10.8	11.2	11.0	11.3	11.6	12.1	11.9	12.2	12.6	13.1	12.8	13.1	13.5	14.0	13.6	13.9	14.4	14.9	14.4	14.8	15.3	15.8
Hi PR	213	229	242	252	239	257	271	283	272	292	309	322	309	333	352	367	348	375	395	412	385	414	437	456	
Lo PR	110	117	128	136	116	124	135	144	121	128	140	149	127	135	147	157	133	141	154	164	137	146	160	170	
MBh	42.4	43.7	47.3	50.7	41.4	42.7	46.2	49.6	40.4	41.6	45.1	48.4	39.5	40.6	44.0	47.2	37.5	38.6	41.8	44.8	34.7	35.8	38.7	41.5	
S/T	0.81	0.72	0.55	0.35	0.84	0.75	0.57	0.36	0.86	0.77	0.58	0.37	0.89	0.79	0.60	0.39	0.92	0.82	0.62	0.40	0.93	0.83	0.63	0.40	
ΔT	23	21	18	12	23	22	18	12	24	22	18	12	24	22	18	12	24	22	18	12	22	20	16	11	
kW	2.62	2.67	2.75	2.84	2.81	2.87	2.96	3.06	2.99	3.05	3.15	3.25	3.14	3.21	3.31	3.42	3.27	3.34	3.45	3.57	3.38	3.46	3.57	3.69	
Amps	9.9	10.1	10.5	10.9	10.7	11.0	11.3	11.7	11.6	11.9	12.3	12.8	12.4	12.7	13.1	13.6	13.2	13.5	14.0	14.5	14.0	14.3	14.8	15.4	
Hi PR	206	222	235	245	232	249	263	275	263	284	299	312	300	323	341	356	338	363	384	400	373	401	424	442	
Lo PR	107	113	124	132	113	120	131	139	117	125	136	145	123	131	143	152	129	137	150	159	133	142	155	165	

Shaded area is ACCA (TVA) conditions IDB: Entering Indoor Dry Bulb Temperature kW = Total system power Amps = outdoor unit amps (comp.+fan)
 High and low pressures are measured at the liquid and suction service valves. Design Subcooling 7 ± 2 °F @ the liquid service valve; ARI 95 °F test conditions

EXPANDED COOLING DATA — SSZ160481A* / CA*F4860*6A* + TXV / MBE2000** -1 (CONT.)

IDB*	Airflow	Outdoor Ambient Temperature																							
		65°F				75°F				85°F				95°F				105°F				115°F			
		59	63	67	71	59	63	67	71	59	63	67	71	59	63	67	71	59	63	67	71	59	63	67	71
80	MBh	48.2	49.2	52.6	56.2	47.1	48.1	51.4	54.9	45.9	46.9	50.1	53.6	44.8	45.8	48.9	52.3	42.6	43.5	46.5	49.7	39.4	40.3	43.1	46.0
	S/T	0.96	0.90	0.73	0.55	1.00	0.94	0.76	0.57	1.00	0.96	0.78	0.58	1.00	1.00	0.81	0.60	1.00	1.00	0.84	0.63	1.00	1.00	0.84	0.63
	ΔT	24	23	20	16	25	24	21	16	24	24	21	16	24	24	21	17	24	23	20	16	21	21	19	15
	kW	2.72	2.78	2.87	2.96	2.93	2.99	3.09	3.19	3.11	3.18	3.28	3.39	3.27	3.34	3.45	3.57	3.41	3.49	3.60	3.72	3.53	3.61	3.73	3.85
	Amps	10.4	10.6	11.0	11.4	11.2	11.5	11.8	12.3	12.2	12.5	12.9	13.4	13.0	13.3	13.8	14.3	13.8	14.2	14.7	15.2	14.7	15.0	15.5	16.1
	Hi PR	217	234	247	257	244	262	277	289	277	298	315	328	316	340	359	374	355	382	403	421	392	422	446	465
	Lo PR	112	119	130	139	118	126	138	147	123	131	143	152	129	138	150	160	136	144	157	168	140	149	163	173
	MBh	46.8	47.8	51.1	54.6	45.7	46.7	49.9	53.3	44.6	45.6	48.7	52.0	43.5	44.5	47.5	50.8	41.3	42.2	45.1	48.2	38.3	39.1	41.8	44.7
	S/T	0.92	0.86	0.70	0.52	0.95	0.89	0.73	0.54	0.98	0.91	0.74	0.56	1.00	0.94	0.77	0.57	1.00	0.98	0.80	0.60	1.00	0.99	0.80	0.60
	ΔT	25	24	21	17	26	25	21	17	26	25	21	17	26	25	22	17	25	25	21	17	23	23	20	16
kW	2.70	2.76	2.84	2.93	2.91	2.97	3.06	3.16	3.09	3.15	3.25	3.36	3.25	3.32	3.43	3.54	3.38	3.46	3.57	3.69	3.50	3.58	3.69	3.82	
Amps	10.3	10.5	10.9	11.3	11.1	11.4	11.7	12.2	12.1	12.4	12.8	13.2	12.9	13.2	13.6	14.2	13.7	14.1	14.5	15.1	14.5	14.9	15.4	16.0	
Hi PR	215	231	244	255	241	260	274	286	274	295	312	325	312	336	355	370	352	378	399	417	388	418	441	460	
Lo PR	111	118	129	137	117	125	136	145	122	130	142	151	128	136	149	158	134	143	156	166	139	148	161	172	
MBh	43.2	44.1	47.1	50.4	42.2	43.1	46.0	49.2	41.2	42.1	44.9	48.0	40.2	41.0	43.8	46.9	38.2	39.0	41.7	44.5	35.3	36.1	38.6	41.2	
S/T	0.88	0.83	0.68	0.50	0.92	0.86	0.70	0.52	0.94	0.88	0.72	0.54	0.97	0.91	0.74	0.55	1.01	0.94	0.77	0.57	1.02	0.95	0.78	0.58	
ΔT	26	25	22	17	26	25	22	17	26	25	22	17	26	25	22	18	26	25	22	17	24	23	20	16	
kW	2.64	2.69	2.77	2.86	2.84	2.90	2.99	3.08	3.01	3.08	3.17	3.28	3.17	3.24	3.34	3.45	3.30	3.37	3.48	3.60	3.41	3.49	3.60	3.72	
Amps	10.0	10.2	10.6	11.0	10.8	11.1	11.4	11.8	11.7	12.0	12.4	12.9	12.5	12.8	13.3	13.8	13.3	13.7	14.1	14.7	14.1	14.5	15.0	15.5	
Hi PR	209	224	237	247	234	252	266	277	266	286	302	315	303	326	344	359	341	367	388	404	377	405	428	447	
Lo PR	108	115	125	133	114	121	132	141	118	126	137	146	124	132	144	154	130	139	151	161	135	143	156	167	

85	MBh	49.0	50.0	52.3	55.8	47.9	48.8	51.1	54.5	46.7	47.6	49.9	53.2	45.6	46.5	48.7	51.9	43.3	44.2	46.2	49.3	40.1	40.9	42.8	45.7
	S/T	1.00	0.97	0.88	0.71	1.00	1.00	0.91	0.74	1.00	1.00	0.93	0.76	1.00	1.00	0.96	0.78	1.00	1.00	0.81	0.81	1.00	1.00	0.81	0.82
	ΔT	26	26	24	21	25	26	25	21	25	25	25	21	24	25	25	21	23	23	24	21	21	22	23	20
	kW	2.74	2.80	2.89	2.98	2.95	3.02	3.11	3.21	3.14	3.20	3.31	3.42	3.30	3.37	3.48	3.60	3.44	3.51	3.63	3.75	3.56	3.64	3.76	3.88
	Amps	10.5	10.7	11.1	11.5	11.3	11.6	12.0	12.4	12.3	12.6	13.0	13.5	13.1	13.4	13.9	14.4	14.0	14.3	14.8	15.4	14.8	15.2	15.7	16.3
	Hi PR	219	236	249	260	246	265	280	292	280	301	318	332	319	343	362	378	359	386	408	425	396	426	450	470
	Lo PR	113	121	132	140	120	127	139	148	124	132	144	154	131	139	152	162	137	146	159	169	142	151	164	175
	MBh	47.6	48.5	50.8	54.2	46.5	47.4	49.6	52.9	45.4	46.3	48.4	51.7	44.3	45.1	47.3	50.4	42.1	42.9	44.9	47.9	39.0	39.7	41.6	44.4
	S/T	0.96	0.93	0.84	0.68	1.00	0.96	0.87	0.70	1.00	0.99	0.89	0.72	1.00	1.00	0.92	0.75	1.00	1.00	0.95	0.77	1.00	1.00	0.96	0.78
	ΔT	27	27	25	22	27	27	26	22	27	27	26	22	26	27	26	22	25	25	25	22	23	24	24	21
kW	2.72	2.78	2.87	2.96	2.93	2.99	3.09	3.19	3.11	3.18	3.28	3.39	3.27	3.34	3.45	3.57	3.41	3.49	3.60	3.72	3.53	3.61	3.73	3.85	
Amps	10.4	10.6	11.0	11.4	11.2	11.5	11.8	12.3	12.2	12.5	12.9	13.4	13.0	13.3	13.8	14.3	13.8	14.2	14.7	15.2	14.7	15.0	15.5	16.1	
Hi PR	217	234	247	257	244	262	277	289	277	298	315	328	316	340	359	374	355	382	403	421	392	422	446	465	
Lo PR	112	119	130	139	118	126	138	147	123	131	143	152	129	138	150	160	136	144	157	168	140	149	163	173	
MBh	43.9	44.8	46.9	50.0	42.9	43.7	45.8	48.9	41.9	42.7	44.7	47.7	40.9	41.7	43.6	46.5	38.8	39.6	41.4	44.2	36.0	36.7	38.4	41.0	
S/T	0.93	0.90	0.81	0.66	0.96	0.93	0.84	0.68	0.99	0.95	0.86	0.70	1.00	0.98	0.89	0.72	1.00	1.00	0.92	0.75	1.00	1.00	0.93	0.75	
ΔT	28	27	26	22	28	28	26	22	28	28	26	23	28	28	26	23	26	27	26	22	24	25	24	21	
kW	2.66	2.71	2.80	2.89	2.86	2.92	3.01	3.11	3.04	3.10	3.20	3.30	3.19	3.26	3.37	3.48	3.32	3.40	3.51	3.63	3.44	3.52	3.63	3.75	
Amps	10.1	10.3	10.7	11.1	10.9	11.2	11.5	12.0	11.8	12.1	12.5	13.0	12.6	13.0	13.4	13.9	13.5	13.8	14.3	14.8	14.3	14.6	15.1	15.7	
Hi PR	211	227	239	250	236	254	269	280	269	289	305	319	306	329	348	363	344	371	391	408	381	410	432	451	
Lo PR	109	116	126	135	115	122	133	142	119	127	139	148	125	133	146	155	131	140	153	163	136	145	158	168	

Shaded area is ARI Rating Conditions IDB: Entering Indoor Dry Bulb Temperature kW = Total system power Amps = outdoor unit amps (comp.+fan)
 High and low pressures are measured at the liquid and suction service valves. Design Subcooling 7 ± 2 °F @ the liquid service valve; ARI 95 °F test conditions

EXPANDED COOLING DATA — SSZ160601A* / CA*F4860*6A* + TXV / MBE2000** -1

IDB*	Airflow	Outdoor Ambient Temperature																							
		65°F				75°F				85°F				95°F				105°F				115°F			
		59	63	67	71	59	63	67	71	59	63	67	71	59	63	67	71	59	63	67	71	59	63	67	71
2025	MBh	55.9	57.9	63.4	-	54.6	56.5	62.0	-	53.3	55.2	60.5	-	52.0	53.9	59.0	-	49.4	51.2	56.1	-	45.7	47.4	51.9	-
	S/T	0.74	0.62	0.43	-	0.77	0.64	0.44	-	0.79	0.66	0.46	-	0.81	0.68	0.47	-	0.84	0.70	0.49	-	0.85	0.71	0.49	-
	ΔT	19	16	12	-	19	16	13	-	19	16	13	-	19	17	13	-	19	16	12	-	18	15	12	-
	kW	3.57	3.65	3.77	-	3.85	3.94	4.07	-	4.10	4.20	4.34	-	4.32	4.42	4.57	-	4.51	4.61	4.77	-	4.67	4.78	4.94	-
	Amps	13.1	13.5	13.9	-	14.2	14.6	15.1	-	15.5	15.9	16.4	-	16.6	17.0	17.6	-	17.7	18.1	18.7	-	18.8	19.2	19.9	-
	Hi PR	214	230	243	-	240	258	273	-	273	294	310	-	311	334	353	-	350	376	397	-	386	416	439	-
	Lo PR	101	107	117	-	107	113	124	-	111	118	129	-	116	124	135	-	122	130	142	-	126	134	146	-
	MBh	54.2	56.2	61.6	-	53.0	54.9	60.1	-	51.7	53.6	58.7	-	50.4	52.3	57.3	-	47.9	49.7	54.4	-	44.4	46.0	50.4	-
	S/T	0.71	0.59	0.41	-	0.73	0.61	0.42	-	0.75	0.63	0.43	-	0.78	0.65	0.45	-	0.80	0.67	0.47	-	0.81	0.68	0.47	-
	ΔT	20	17	13	-	20	17	13	-	20	17	13	-	20	17	13	-	20	17	13	-	18	16	12	-
70	kW	3.54	3.62	3.74	-	3.82	3.91	4.04	-	4.07	4.16	4.30	-	4.29	4.38	4.53	-	4.47	4.58	4.73	-	4.63	4.74	4.90	-
	Amps	13.0	13.3	13.8	-	14.1	14.4	14.9	-	15.3	15.7	16.3	-	16.4	16.8	17.4	-	17.5	17.9	18.6	-	18.6	19.0	19.7	-
	Hi PR	212	228	241	-	238	256	270	-	270	291	307	-	308	331	350	-	346	373	393	-	382	412	435	-
	Lo PR	100	106	116	-	106	112	123	-	110	117	127	-	115	123	134	-	121	128	140	-	125	133	145	-
	MBh	50.1	51.9	56.8	-	48.9	50.7	55.5	-	47.7	49.5	54.2	-	46.6	48.3	52.9	-	44.2	45.8	50.2	-	41.0	42.5	46.5	-
	S/T	0.68	0.57	0.39	-	0.71	0.59	0.41	-	0.72	0.61	0.42	-	0.75	0.62	0.43	-	0.78	0.65	0.45	-	0.78	0.65	0.45	-
	ΔT	20	17	13	-	20	17	13	-	20	17	13	-	20	18	13	-	20	17	13	-	19	16	12	-
	kW	3.46	3.53	3.64	-	3.73	3.81	3.93	-	3.97	4.06	4.19	-	4.18	4.27	4.42	-	4.36	4.46	4.61	-	4.51	4.62	4.77	-
	Amps	12.6	13.0	13.4	-	13.7	14.0	14.5	-	14.9	15.3	15.8	-	16.0	16.4	16.9	-	17.0	17.4	18.0	-	18.0	18.5	19.1	-
	Hi PR	205	221	233	-	230	248	262	-	262	282	298	-	298	321	339	-	336	361	382	-	371	399	422	-
Lo PR	97	103	112	-	102	109	119	-	106	113	124	-	112	119	130	-	117	125	136	-	121	129	141	-	
2025	MBh	56.8	58.5	63.3	67.9	55.5	57.1	61.8	66.4	54.2	55.8	60.4	64.8	52.8	54.4	58.9	63.2	50.2	51.7	55.9	60.0	46.5	47.9	51.8	55.6
	S/T	0.84	0.75	0.57	0.37	0.87	0.78	0.59	0.38	0.90	0.80	0.61	0.39	0.92	0.83	0.63	0.40	0.96	0.86	0.65	0.42	0.97	0.87	0.65	0.42
	ΔT	22	20	16	11	22	20	17	11	22	20	17	11	22	20	17	12	22	20	16	11	20	19	15	11
	kW	3.60	3.68	3.80	3.93	3.89	3.97	4.10	4.24	4.14	4.23	4.37	4.52	4.36	4.46	4.61	4.77	4.55	4.65	4.81	4.98	4.71	4.82	4.99	5.16
	Amps	13.3	13.6	14.0	14.6	14.4	14.7	15.2	15.8	15.6	16.0	16.6	17.2	16.7	17.2	17.7	18.4	17.8	18.3	18.9	19.7	18.9	19.4	20.1	20.9
	Hi PR	216	232	245	256	242	261	275	287	276	297	313	327	314	338	357	372	353	380	401	419	390	420	443	463
	Lo PR	102	108	118	126	108	115	125	133	112	119	130	138	118	125	136	145	123	131	143	152	127	136	148	158
	MBh	55.1	56.8	61.5	66.0	53.9	55.5	60.0	64.4	52.6	54.1	58.6	62.9	51.3	52.8	57.2	61.4	48.7	50.2	54.3	58.3	45.1	46.5	50.3	54.0
	S/T	0.80	0.72	0.54	0.35	0.83	0.74	0.56	0.36	0.85	0.76	0.58	0.37	0.88	0.79	0.60	0.38	0.91	0.82	0.62	0.40	0.92	0.83	0.62	0.40
	ΔT	23	21	17	12	23	21	17	12	23	21	17	12	23	21	17	12	23	21	17	12	21	20	16	11
75	kW	3.57	3.65	3.77	3.89	3.85	3.94	4.07	4.21	4.10	4.20	4.34	4.48	4.32	4.42	4.57	4.73	4.51	4.62	4.77	4.94	4.67	4.78	4.94	5.12
	Amps	13.1	13.5	13.9	14.4	14.2	14.6	15.1	15.6	15.5	15.9	16.4	17.1	16.6	17.0	17.6	18.3	17.7	18.1	18.7	19.5	18.8	19.2	19.9	20.7
	Hi PR	214	230	243	253	240	258	273	284	273	294	310	323	311	335	353	368	350	376	397	414	386	416	439	458
	Lo PR	101	107	117	125	107	113	124	132	111	118	129	137	116	124	135	144	122	130	142	151	126	134	146	156
	MBh	50.9	52.4	56.7	60.9	49.7	51.2	55.4	59.5	48.5	50.0	54.1	58.1	47.3	48.8	52.8	56.6	45.0	46.3	50.1	53.8	41.7	42.9	46.4	49.8
	S/T	0.77	0.69	0.52	0.34	0.80	0.72	0.54	0.35	0.82	0.74	0.56	0.36	0.85	0.76	0.58	0.37	0.88	0.79	0.60	0.38	0.89	0.80	0.60	0.39
	ΔT	23	21	17	12	23	21	18	12	23	21	18	12	23	22	18	12	23	21	17	12	22	20	16	11
	kW	3.48	3.56	3.67	3.80	3.76	3.84	3.97	4.10	4.00	4.09	4.23	4.37	4.21	4.31	4.45	4.61	4.40	4.50	4.65	4.81	4.55	4.66	4.82	4.98
	Amps	12.8	13.1	13.5	14.0	13.8	14.2	14.6	15.2	15.1	15.4	16.0	16.6	16.1	16.5	17.1	17.7	17.2	17.6	18.2	18.9	18.2	18.7	19.3	20.1
	Hi PR	207	223	236	246	233	250	265	276	265	285	301	314	302	324	343	357	339	365	385	402	375	403	426	444
Lo PR	98	104	114	121	103	110	120	128	107	114	125	133	113	120	131	140	118	126	137	146	122	130	142	151	

Shaded area is ACCA (TVA) conditions IDB: Entering Indoor Dry Bulb Temperature kW = Total system power Amps = outdoor unit amps (comp.+fan)
 High and low pressures are measured at the liquid and suction service valves. Design Subcooling 7 ± 2 °F @ the liquid service valve; ARI 95 °F test conditions

EXPANDED COOLING DATA — SSZ160601A* / CA*F4860*6A* + TXV / MBE2000** -1 (CONT.)

IDB*	Airflow	Outdoor Ambient Temperature																							
		65°F				75°F				85°F				95°F				105°F				115°F			
		59	63	67	71	59	63	67	71	59	63	67	71	59	63	67	71	59	63	67	71	59	63	67	71
2025	MBh	57.8	59.1	63.1	67.5	56.5	57.7	61.6	65.9	55.1	56.3	60.2	64.3	53.8	55.0	58.7	62.8	51.1	52.2	55.8	59.6	47.3	48.4	51.7	55.2
	S/T	0.92	0.87	0.71	0.53	0.96	0.90	0.73	0.55	1.00	0.92	0.75	0.56	1.00	0.95	0.77	0.58	1.00	1.00	0.80	0.60	1.00	1.00	0.81	0.61
	ΔT	24	23	20	16	25	24	20	16	25	24	20	16	24	24	21	16	24	24	20	16	21	22	19	15
	kW	3.63	3.71	3.83	3.96	3.92	4.01	4.14	4.28	4.17	4.27	4.41	4.56	4.40	4.50	4.65	4.81	4.59	4.70	4.86	5.02	4.76	4.86	5.03	5.21
	Amps	13.4	13.7	14.2	14.7	14.5	14.9	15.4	15.9	15.8	16.2	16.7	17.4	16.9	17.3	17.9	18.6	18.0	18.5	19.1	19.9	19.1	19.6	20.3	21.1
	Hi PR	218	235	248	259	245	263	278	290	278	300	316	330	317	341	360	376	357	384	405	423	394	424	448	467
	Lo PR	103	109	120	127	109	116	126	134	113	120	131	140	119	126	138	147	124	132	144	154	129	137	149	159
	MBh	56.1	57.4	61.3	65.5	54.8	56.0	59.9	64.0	53.5	54.7	58.4	62.5	52.2	53.4	57.0	60.9	49.6	50.7	54.2	57.9	45.9	46.9	50.2	53.6
	S/T	0.88	0.83	0.67	0.50	0.91	0.86	0.70	0.52	0.94	0.88	0.71	0.53	0.97	0.91	0.74	0.55	1.00	0.94	0.77	0.57	1.00	0.95	0.77	0.58
	ΔT	25	24	21	17	26	25	21	17	26	25	21	17	26	25	21	17	25	24	21	17	23	23	20	16
	kW	3.60	3.68	3.80	3.93	3.89	3.97	4.10	4.24	4.14	4.23	4.37	4.52	4.36	4.46	4.61	4.77	4.55	4.66	4.81	4.98	4.71	4.82	4.99	5.16
	Amps	13.3	13.6	14.0	14.6	14.4	14.7	15.2	15.8	15.6	16.0	16.6	17.2	16.7	17.2	17.8	18.4	17.8	18.3	18.9	19.7	18.9	19.4	20.1	20.9
Hi PR	216	232	245	256	242	261	275	287	276	297	313	327	314	338	357	372	353	380	401	419	390	420	444	463	
Lo PR	102	108	118	126	108	115	125	133	112	119	130	138	118	125	137	145	123	131	143	152	127	136	148	158	
MBh	51.8	52.9	56.6	60.5	50.6	51.7	55.2	59.1	49.4	50.5	53.9	57.6	48.2	49.2	52.6	56.2	45.8	46.8	50.0	53.4	42.4	43.3	46.3	49.5	
S/T	0.85	0.80	0.65	0.48	0.88	0.83	0.67	0.50	0.90	0.85	0.69	0.52	0.93	0.87	0.71	0.53	0.97	0.91	0.74	0.55	0.98	0.92	0.74	0.56	
ΔT	26	25	21	17	26	25	22	17	26	25	22	17	26	25	22	17	26	25	22	17	24	23	20	16	
kW	3.51	3.59	3.71	3.83	3.79	3.87	4.00	4.14	4.03	4.13	4.26	4.41	4.25	4.35	4.49	4.65	4.43	4.54	4.69	4.85	4.59	4.70	4.86	5.03	
Amps	12.9	13.2	13.6	14.2	14.0	14.3	14.8	15.4	15.2	15.6	16.1	16.7	16.3	16.7	17.2	17.9	17.3	17.8	18.4	19.1	18.4	18.9	19.5	20.3	
Hi PR	210	225	238	248	235	253	267	279	267	288	304	317	305	328	346	361	343	369	389	406	379	407	430	449	
Lo PR	99	105	115	122	104	111	121	129	109	115	126	134	114	121	132	141	119	127	139	148	124	131	144	153	
2025	MBh	58.8	60.0	62.8	67.0	57.5	58.6	61.3	65.4	56.1	57.2	59.9	63.9	54.7	55.8	58.4	62.3	52.0	53.0	55.5	59.2	48.2	49.1	51.4	54.8
	S/T	0.97	0.93	0.84	0.68	1.00	0.97	0.87	0.71	1.00	0.99	0.90	0.73	1.00	1.00	0.93	0.75	1.00	1.00	0.96	0.78	1.00	1.00	0.97	0.79
	ΔT	26	25	24	21	26	26	24	21	25	26	24	21	25	25	25	21	24	24	24	21	22	22	23	20
	kW	3.66	3.74	3.86	3.99	3.95	4.04	4.17	4.31	4.21	4.30	4.45	4.60	4.44	4.54	4.69	4.85	4.63	4.74	4.90	5.07	4.80	4.91	5.07	5.25
	Amps	13.5	13.8	14.3	14.8	14.6	15.0	15.5	16.1	15.9	16.3	16.9	17.5	17.1	17.5	18.1	18.8	18.2	18.6	19.3	20.0	19.3	19.8	20.5	21.3
	Hi PR	220	237	250	261	247	266	281	293	281	303	320	333	320	345	364	380	360	388	409	427	398	428	452	472
	Lo PR	104	111	121	129	110	117	128	136	114	121	133	141	120	128	139	148	126	134	146	155	130	138	151	161
	MBh	57.1	58.2	61.0	65.0	55.8	56.9	59.6	63.5	54.5	55.5	58.1	62.0	53.1	54.2	56.7	60.5	50.5	51.4	53.9	57.5	46.7	47.7	49.9	53.2
	S/T	0.92	0.89	0.80	0.65	0.96	0.92	0.83	0.68	0.98	0.95	0.86	0.69	1.00	0.98	0.88	0.72	1.00	1.00	0.92	0.74	1.00	1.00	0.92	0.75
	ΔT	27	27	25	22	27	27	25	22	27	27	25	22	27	27	26	22	26	26	25	22	24	24	24	20
	kW	3.63	3.71	3.83	3.96	3.92	4.01	4.14	4.28	4.17	4.27	4.41	4.56	4.40	4.50	4.65	4.81	4.59	4.70	4.86	5.02	4.76	4.86	5.03	5.21
	Amps	13.4	13.7	14.2	14.7	14.5	14.9	15.4	15.9	15.8	16.2	16.7	17.4	16.9	17.3	17.9	18.6	18.0	18.5	19.1	19.9	19.1	19.6	20.3	21.1
Hi PR	218	235	248	259	245	263	278	290	278	300	316	330	317	341	360	376	357	384	405	423	394	424	448	467	
Lo PR	103	109	120	127	109	116	126	134	113	120	131	140	119	126	138	147	124	132	144	154	129	137	149	159	
MBh	52.7	53.7	56.3	60.0	51.5	52.5	55.0	58.6	50.3	51.2	53.7	57.2	49.0	50.0	52.3	55.8	46.6	47.5	49.7	53.1	43.1	44.0	46.1	49.1	
S/T	0.89	0.86	0.78	0.63	0.92	0.89	0.80	0.65	0.95	0.91	0.82	0.67	0.98	0.94	0.85	0.69	1.00	0.98	0.88	0.72	1.00	0.99	0.89	0.72	
ΔT	27	27	25	22	28	27	26	22	28	27	26	22	28	28	26	23	27	27	26	22	25	25	24	21	
kW	3.54	3.62	3.74	3.86	3.82	3.91	4.03	4.17	4.07	4.16	4.30	4.44	4.29	4.38	4.53	4.69	4.47	4.57	4.73	4.89	4.63	4.74	4.90	5.07	
Amps	13.0	13.3	13.8	14.3	14.1	14.4	14.9	15.5	15.3	15.7	16.3	16.9	16.4	16.8	17.4	18.1	17.5	17.9	18.6	19.3	18.6	19.0	19.7	20.5	
Hi PR	212	228	240	251	237	256	270	281	270	291	307	320	308	331	350	365	346	372	393	410	382	411	434	453	
Lo PR	100	106	116	123	105	112	122	130	110	117	127	136	115	122	134	142	121	128	140	149	125	133	145	154	

Shaded area is ARI Rating Conditions IDB: Entering Indoor Dry Bulb Temperature kW = Total system power Amps = outdoor unit amps (comp.+fan)
 High and low pressures are measured at the liquid and suction service valves. Design Subcooling 7 ± 2 °F @ the liquid service valve; ARI 95 °F test conditions

PRODUCT SPECIFICATIONS

EXPANDED HEATING DATA

SSZ160241A* / CA*F3636*6A* + TXV / MBE1600**-1

	Outdoor Ambient Temperature																	
	65	60	55	50	47	45	40	35	30	25	20	17	15	10	5	0	-5	-10
MBh	30.2	28.6	26.9	25.1	24.0	23.3	21.6	19.9	18.7	17.3	15.9	15.0	14.4	13.0	11.5	10.0	8.6	7.0
ΔT	31.9	30.2	28.4	26.6	25.4	24.6	22.9	21.1	19.8	18.3	16.8	15.9	15.3	13.7	12.2	10.6	9.0	7.4
kW	1.79	1.75	1.72	1.68	1.7	1.65	1.62	1.58	1.68	1.64	1.60	1.58	1.56	1.52	1.48	1.45	1.41	1.37
Amps	8.4	7.8	7.3	6.9	6.7	6.6	6.2	5.9	5.7	5.4	5.2	5.1	5.0	4.7	4.4	4.2	3.9	3.5
COP	4.93	4.76	4.57	4.37	4.22	4.13	3.91	3.69	3.26	3.08	2.91	2.79	2.71	2.49	2.27	2.03	1.78	1.50
EER	16.9	16.3	15.6	14.9	14.4	14.1	13.4	12.6	11.2	10.5	9.9	9.5	9.3	8.5	7.7	6.9	6.1	5.1
Hi PR	349	334	322	307	300	295	283	272	260	249	239	233	229	220	212	203	196	189
Lo PR	144	133	125	115	108	104	96	85	77	69	60	56	54	46	40	33	29	23

SSZ160361A* / CA*F4860*6A*+TXV/ MBE2000**-1

	Outdoor Ambient Temperature																	
	65	60	55	50	47	45	40	35	30	25	20	17	15	10	5	0	-5	-10
MBh	43.2	40.9	38.5	36.0	34.4	33.3	31.0	28.6	26.2	24.2	22.2	21.0	20.2	18.1	16.1	14.0	12.0	9.8
ΔT	33.4	31.6	29.7	27.8	26.5	25.7	23.9	22.0	20.2	18.6	17.2	16.2	15.6	14.0	12.4	10.8	9.2	7.6
kW	2.70	2.65	2.59	2.54	2.5	2.48	2.43	2.37	2.46	2.40	2.34	2.31	2.28	2.22	2.16	2.11	2.05	1.99
Amps	13.1	12.1	11.3	10.6	10.3	10.1	9.5	9.0	8.6	8.2	7.9	7.7	7.6	7.2	6.7	6.3	5.8	5.3
COP	4.68	4.52	4.35	4.15	4.02	3.93	3.73	3.52	3.12	2.95	2.78	2.67	2.59	2.39	2.17	1.95	1.71	1.44
EER	16.0	15.5	14.9	14.2	13.7	13.4	12.7	12.0	10.6	10.1	9.5	9.1	8.9	8.2	7.4	6.7	5.8	4.9
Hi PR	389	373	359	343	335	329	316	303	291	277	266	260	255	246	236	227	218	211
Lo PR	147	136	127	117	110	106	98	87	78	70	62	57	55	47	40	34	30	23

SSZ160481A* / CA*F4860*6A* + TXV / MBE2000**-1

	Outdoor Ambient Temperature																	
	65	60	55	50	47	45	40	35	30	25	20	17	15	10	5	0	-5	-10
MBh	59.1	55.9	52.6	49.2	47.0	45.5	42.3	39.0	35.4	32.6	30.1	28.4	27.3	24.5	21.7	19.0	16.2	13.3
ΔT	35.3	33.4	31.4	29.4	28.1	27.2	25.3	23.3	21.1	19.5	18.0	17.0	16.3	14.7	13.0	11.3	9.7	7.9
kW	3.69	3.62	3.54	3.47	3.4	3.40	3.32	3.25	3.14	3.06	2.99	2.95	2.92	2.85	2.78	2.71	2.63	2.56
Amps	17.6	16.3	15.2	14.3	13.8	13.5	12.7	12.1	11.5	11.0	10.5	10.2	10.1	9.6	8.9	8.4	7.7	6.9
COP	4.68	4.52	4.35	4.15	4.01	3.93	3.72	3.51	3.30	3.12	2.94	2.82	2.74	2.52	2.29	2.05	1.80	1.51
EER	16.0	15.5	14.9	14.2	13.7	13.4	12.7	12.0	11.3	10.7	10.0	9.6	9.4	8.6	7.8	7.0	6.1	5.2
Hi PR	405	388	373	357	348	342	328	315	302	288	277	270	265	255	246	235	227	219
Lo PR	140	130	122	112	106	102	94	83	75	67	59	55	53	45	39	33	28	22

SSZ160601A* / CA*F4860*6A* + TXV / MBE2000**-1

	Outdoor Ambient Temperature																	
	65	60	55	50	47	45	40	35	30	25	20	17	15	10	5	0	-5	-10
MBh	71.6	67.8	63.8	59.7	57.0	55.2	51.3	47.3	44.9	41.4	38.1	36.0	34.7	31.1	27.6	24.0	20.5	16.8
ΔT	36.9	34.9	32.8	30.7	29.3	28.4	26.4	24.3	23.1	21.3	19.6	18.5	17.8	16.0	14.2	12.4	10.6	8.6
kW	4.73	4.63	4.53	4.44	4.4	4.34	4.25	4.15	4.27	4.16	4.06	4.00	3.96	3.86	3.76	3.66	3.55	3.45
Amps	21.7	20.0	18.7	17.6	16.9	16.6	15.6	14.8	14.1	13.5	12.8	12.5	12.3	11.6	10.8	10.2	9.3	8.4
COP	4.44	4.29	4.12	3.94	3.81	3.73	3.54	3.34	3.08	2.91	2.75	2.63	2.56	2.36	2.15	1.92	1.69	1.42
EER	15.2	14.7	14.1	13.5	13.0	12.7	12.1	11.4	10.5	9.9	9.4	9.0	8.7	8.1	7.3	6.6	5.8	4.9
Hi PR	395	379	364	348	340	334	321	308	295	282	270	264	259	249	240	230	222	214
Lo PR	133	124	116	106	101	97	89	79	71	64	56	52	50	43	37	31	27	21

High pressure is measured at the suction service valve (the larger valve).

Low pressure is measured at the gauge port connection.

Amps = Outdoor unit amps (comp.+fan)

Calculations are based on nominal CFM and 70 °F indoor dry bulb.

kW = Total system power

Shaded area is ARI Rating Conditions at 47°F outdoor ambient temperature

ARI PERFORMANCE RATINGS

Outdoor Unit	Indoor Units		Cooling Capacity (BTU/h)			Heating Capacity (BTU/h)			ARI #			
	Coil & Blower Units	Furnace	Total	Sens.	SEER ¹	EER ²	Total	Sens. ³		HSPF ⁴	High	Low
SSZ16 0241A*	AEPF303616A*+TXV		24,000	18,700	16.00	13.00	22,200	18,400	9.50	23,000	15,000	
	AEPF303616B*+TXV		24,000	18,700	16.00	13.00	22,200	18,400	9.50	23,000	15,000	
	AEPF303616C*+TXV		24,000	18,700	16.00	13.00	22,200	18,400	9.50	23,000	15,000	
	ASPF303616A*+TXV		24,000	18,700	16.00	13.00	22,200	18,400	9.50	22,600	14,000	
	ASPF303616B*+TXV		24,000	18,700	16.00	13.00	22,200	18,400	9.50	22,600	14,000	
	CA*F048*4*+MBE1600**-1+TXV		24,000	18,700	16.00	13.00	22,200	18,400	9.50	23,000	15,000	
	CA*F048*4*+TXV	G*V80905C**		24,000	18,700	16.00	13.00	22,200	18,400	9.50	23,000	15,000
	CA*F048*4*+TXV	G*V81155C**		24,000	18,700	16.00	13.00	22,200	18,400	9.50	23,000	15,000
	CA*F048*4*+TXV	G*V950704C**		24,000	18,700	16.00	13.00	22,200	18,400	9.50	23,000	15,000
	CA*F3636*6A*+EHP+TXV		23,400	18,300	14.00	12.00	21,600	17,900	9.50	23,000	15,000	
	CA*F3636*6A*+MBE1600**-1+TXV		24,000	18,700	16.00	13.00	22,200	18,400	9.50	23,000	15,000	
	CA*F3636*6A*+TXV	G*V80905C**		24,000	18,700	16.00	13.00	22,200	18,400	9.50	23,000	15,000
	CA*F3636*6A*+TXV	G*V81155C**		24,000	18,700	16.00	13.00	22,200	18,400	9.50	23,000	15,000
	CA*F3636*6A*+TXV	G*V950453B**		24,000	18,700	16.00	13.00	22,200	18,400	9.50	23,000	15,000
	CA*F3636*6A*+TXV	G*V950704C**		24,000	18,700	16.00	13.00	22,200	18,400	9.50	23,000	15,000
	CA*F3636*6B*+EHP+TXV		23,400	18,300	14.00	12.00	21,600	17,900	9.50	23,000	15,000	
	CA*F3636*6B*+MBE1600**-1+TXV		24,000	18,700	16.00	13.00	22,200	18,400	9.50	23,000	15,000	
	CA*F3636*6B*+TXV	A*V90453B**		24,000	18,700	16.00	13.00	22,200	18,400	9.50	23,000	15,000
	CA*F3636*6B*+TXV	A*V90704C**		24,000	18,700	16.00	13.00	22,200	18,400	9.50	23,000	15,000
	CA*F3636*6B*+TXV	G*V80905C**		24,000	18,700	16.00	13.00	22,200	18,400	9.50	23,000	15,000
	CA*F3636*6B*+TXV	G*V81155C**		24,000	18,700	16.00	13.00	22,200	18,400	9.50	23,000	15,000
	CA*F3636*6B*+TXV	G*V950704C**		24,000	18,700	16.00	13.00	22,200	18,400	9.50	23,000	15,000
	CA*F3642*6A*+MBE1600**-1+TXV		24,000	18,700	16.00	13.00	22,200	18,400	9.50	23,000	15,000	
	CA*F3642*6A*+TXV	G*V80905C**		24,000	18,700	16.00	13.00	22,200	18,400	9.50	23,000	15,000
	CA*F3642*6A*+TXV	G*V81155C**		24,000	18,700	16.00	13.00	22,200	18,400	9.50	23,000	15,000
	CA*F3642*6A*+TXV	G*V950704C**		24,000	18,700	16.00	13.00	22,200	18,400	9.50	23,000	15,000
CA*F3743*6A*+MBE1600**-1+TXV		24,000	18,700	16.00	13.00	22,200	18,400	9.50	23,000	15,000		
CA*F3743*6A*+TXV	G*V80905C**		24,000	18,700	16.00	13.00	22,200	18,400	9.50	23,000	15,000	
CA*F3743*6A*+TXV	G*V81155C**		24,000	18,700	16.00	13.00	22,200	18,400	9.50	23,000	15,000	
CA*F3743*6A*+TXV	G*V950704C**		24,000	18,700	16.00	13.00	22,200	18,400	9.50	23,000	15,000	
CHPF3636B6A*+EHP+TXV		23,400	18,300	14.00	12.00	21,600	17,900	9.50	23,000	15,000		
CHPF3636B6B*+EHP+TXV		23,400	18,300	14.00	12.00	21,600	17,900	9.50	23,000	15,000		
CHPF3642C6A*+MBE1600**-1+TXV		24,000	18,700	16.00	13.00	22,200	18,400	9.50	23,000	15,000		
CHPF3743C6A*+MBE1600**-1A*+TXV		24,000	18,700	16.00	13.00	22,200	18,400	9.50	23,000	15,000		
CT*F3636*6A*+EHP+TXV		23,400	18,300	14.00	12.00	21,600	17,900	9.50	23,000	15,000		

See Notes on Page 14.

ARI PERFORMANCE RATINGS (CONT.)

Outdoor Unit	Indoor Units		Cooling Capacity (BTU/h)				TVA Ratings ³			Heating Capacity (BTU/h)			ARI #
	Coil & Blower Units	Furnace	Total	Sens.	SEER ¹	EER ²	Total	Sens.	High	HSPF ⁴	Low		
SSZ16 0241A* (cont.)	CT*F3636*6A*+MBE1600**+1+TXV	G*V80905C**	24,000	18,700	16.00	13.00	22,200	18,400	23,000	9.50	15,000	1450132	
	CT*F3636*6A*+TXV	G*V81155C**	24,000	18,700	16.00	13.00	22,200	18,400	23,000	9.50	15,000	1450133	
	CT*F3636*6A*+TXV	G*V950453B**	24,000	18,700	16.00	13.00	22,200	18,400	23,000	9.50	15,000	1450134	
	CT*F3636*6A*+TXV	G*V950704C**	24,000	18,700	16.00	13.00	22,200	18,400	23,000	9.50	15,000	1450135	
	CT*F3642*6A*+MBE1600**+1+TXV	G*V80905C**	24,000	18,700	16.00	13.00	22,200	18,400	23,000	9.50	15,000	1450136	
	CT*F3642*6A*+TXV	G*V81155C**	24,000	18,700	16.00	13.00	22,200	18,400	23,000	9.50	15,000	1450138	
	CT*F3642*6A*+TXV	G*V950704C**	24,000	18,700	16.00	13.00	22,200	18,400	23,000	9.50	15,000	1450139	
	CT*F3642*6A*+TXV		24,000	18,700	16.00	13.00	22,200	18,400	23,000	9.50	15,000	1450140	
	AEPF426016A*+TXV		34,600	26,300	16.00	13.00	32,000	25,900	34,400	9.75	21,000	1047237	
	AEPF426016B*+TXV		34,600	26,300	16.00	13.00	32,000	25,900	34,400	9.75	21,000	1277862	
	AEPF426016C*+TXV		34,600	26,300	16.00	13.00	32,000	25,900	34,400	9.75	21,000	1492637	
	ASPF426016A*+TXV		36,000	27,400	16.00	13.00	33,300	27,000	34,600	9.50	23,000	1291300	
ASPF426016B*+TXV		36,000	27,400	16.00	13.00	33,300	27,000	34,600	9.50	23,000	1492638		
CA*F060*4*+MBE2000**+1+TXV		34,600	26,300	16.00	13.00	32,000	25,900	34,400	9.75	21,000	1047238		
CA*F060*4*+TXV	G*V950905D**	34,600	26,300	16.00	13.00	32,000	25,900	34,400	9.50	21,000	1047226		
CA*F060*4*+TXV	G*V951155D**	34,600	26,300	16.00	13.00	32,000	25,900	34,400	9.50	21,000	1047228		
CA*F3642*6A*+TXV	G*V80704B**	34,200	26,000	15.00	12.00	31,600	25,600	34,400	9.50	21,000	1346415		
CA*F3642*6A*+TXV	G*V80905C**	34,600	26,300	15.50	12.50	32,000	25,900	34,600	9.50	22,000	1328896		
CA*F3642*6A*+TXV	G*V950905D**	34,600	26,300	16.00	13.00	32,000	25,900	34,400	9.50	21,000	1047225		
CA*F3642*6A*+TXV	G*V951155D**	34,600	26,300	16.00	13.00	32,000	25,900	34,400	9.50	21,000	1047227		
CA*F3743*6A*+TXV	G*V80704B**	34,200	26,000	15.00	12.00	31,600	25,600	34,400	9.50	21,000	1401100		
CA*F3743*6A*+TXV	G*V80905C**	34,600	26,300	15.50	12.50	32,000	25,900	34,600	9.50	22,000	1346793		
CA*F3743*6A*+TXV	G*V950905D**	34,600	26,300	16.00	13.00	32,000	25,900	34,400	9.50	21,000	1346794		
CA*F3743*6A*+TXV	G*V951155D**	34,600	26,300	16.00	13.00	32,000	25,900	34,400	9.50	21,000	1346795		
CA*F4860*6A*+EEP+TXV		34,600	26,300	14.50	12.20	32,000	25,900	34,400	9.50	21,000	1289759		
CA*F4860*6A*+MBE2000**+1+TXV		34,600	26,300	16.00	13.00	32,000	25,900	34,400	9.50	21,000	1180868		
CA*F4860*6A*+TXV	G*V90905D**	36,000	27,400	16.00	13.00	33,300	27,000	34,600	9.50	23,000	1293994		
CA*F4860*6A*+TXV	G*V950704C**	36,000	27,400	15.50	12.50	33,300	27,000	34,600	9.50	23,000	1293995		
CA*F4860*6A*+TXV	G*V950905D**	34,600	26,300	16.00	13.00	32,000	25,900	34,400	9.50	21,000	1348044		

1 Seasonal Energy Efficiency Ratio; Certified per ARI 210/240 @ 80°F/67°F/95°F
 2 Energy Efficiency Ratio @ 80°F/67°F/95°F
 3 TVA Rating: BTU/h @ 75°F/63°F - 95°F
 4 HSPF = Heating Seasonal Performance Factor

Notes:

- Always check the S&R plate for electrical data on the unit being installed.
- When matching the outdoor unit to the indoor unit, use the piston supplied with the outdoor unit or that specified on the piston kit chart supplied with the indoor unit.
- EEP - Order from Service Dept. Part No. B13707-38 or new Solid State Board B13707-35S. Part No. B13707-38 is not interchangeable with B13707-35S. The Goodman Gas Furnace contains the EEP cooling time delay

ARI PERFORMANCE RATINGS (CONT.)

Outdoor Unit	Indoor Units		Cooling Capacity (BTU/h)			Heating Capacity (BTU/h)			ARI #		
	Coil & Blower Units	Furnace	Total	Sens.	SEER ¹	EER ²	Total	Sens.		HSPF ⁴	High
SSZ16 0361A* (cont.)	CA*F4961*6A*+EHP+TXV		34,600	26,300	14.50	12.20	32,000	25,900	9.50	34,400	21,000
	CA*F4961*6A*+MBE2000**-1+TXV		34,600	26,300	16.00	13.00	32,000	25,900	9.50	34,400	21,000
	CA*F4961*6A*+TXV	A*V90704C**	36,000	27,400	15.50	12.50	33,300	27,000	9.50	34,600	23,000
	CA*F4961*6A*+TXV	G*V90905D**	36,000	27,400	16.00	13.00	33,300	27,000	9.50	34,600	23,000
	CA*F4961*6A*+TXV	G*V950704C**	36,000	27,400	15.50	12.50	33,300	27,000	9.50	34,600	23,000
	CA*F4961*6A*+TXV	G*V950905D**	34,600	26,300	16.00	13.00	32,000	25,900	9.75	34,400	21,000
	CHPF3642D6A*+MBE2000**-1+TXV		34,600	26,300	16.00	13.00	32,000	25,900	9.75	34,400	21,000
	CHPF3743D6A*+MBE2000**-1A*+TXV		34,600	26,300	16.00	13.00	32,000	25,900	9.75	34,400	21,000
	CHPF4860D6A*+EHP+TXV		34,600	26,300	14.50	12.20	32,000	25,900	9.50	34,400	21,000
	CHPF4860D6A*+MBE2000**-1A*+TXV		34,600	26,300	16.00	13.00	32,000	25,900	9.50	34,400	21,000
	CHPF4860D6A*+TXV	G*V950905D**	34,600	26,300	16.00	13.00	32,000	25,900	9.50	34,400	21,000
	CHPF4860D6A*+TXV	G*V951155D**	34,600	26,300	16.00	13.00	32,000	25,900	9.50	34,400	21,000
	CHPF4860D6C*+EHP+TXV		34,600	26,300	14.50	12.20	32,000	25,900	9.50	34,400	21,000
	CHPF4860D6C*+MBE2000**-1A*+TXV		34,600	26,300	16.00	13.00	32,000	25,900	9.50	34,400	21,000
	CHPF4860D6C*+TXV	G*V950905D**	34,600	26,300	16.00	13.00	32,000	25,900	9.50	34,400	21,000
	CHPF4860D6C*+TXV	G*V951155D**	34,600	26,300	16.00	13.00	32,000	25,900	9.50	34,400	21,000
	CSCF4860N6A*+TXV		35,000	26,600	15.50	12.50	32,400	26,200	9.50	34,600	23,000
	CSCF4860N6A*+TXV	G*V950905D**	34,600	26,300	16.00	13.00	32,000	25,900	9.50	34,400	21,000
	CSCF4860N6A*+TXV	G*V951155D**	34,600	26,300	16.00	13.00	32,000	25,900	9.50	34,400	21,000
	CSCF4860N6C*+TXV		35,000	26,600	15.50	12.50	32,400	26,200	9.50	34,600	23,000
CSCF4860N6C*+TXV	G*V950704C**	34,600	26,300	16.00	13.00	32,000	25,900	9.50	34,400	21,000	
CSCF4860N6C*+TXV	G*V950905D**	34,600	26,300	16.00	13.00	32,000	25,900	9.50	34,400	21,000	
CSCF4860N6C*+TXV	G*V951155D**	34,600	26,300	16.00	13.00	32,000	25,900	9.50	34,400	21,000	
CT*F3642*6A*+TXV		34,200	26,000	15.00	12.00	31,600	25,600	9.50	34,400	21,000	
CT*F3642*6A*+TXV	G*V80704B**	34,600	26,300	15.50	12.50	32,000	25,900	9.50	34,600	22,000	
CT*F3642*6A*+TXV	G*V80905C**	34,600	26,300	16.00	13.00	32,000	25,900	9.50	34,400	21,000	
CT*F3642*6A*+TXV	G*V950905D**	34,600	26,300	16.00	13.00	32,000	25,900	9.50	34,400	21,000	
CT*F3642*6A*+TXV	G*V951155D**	34,600	26,300	16.00	13.00	32,000	25,900	9.50	34,400	21,000	
CT*F4860*6A*+EHP+TXV		34,600	26,300	14.50	12.20	32,000	25,900	9.50	34,400	21,000	
CT*F4860*6A*+MBE2000**-1+TXV		34,600	26,300	16.00	13.00	32,000	25,900	9.50	34,400	21,000	
CT*F4860*6A*+TXV	G*V90905D**	36,000	27,400	16.00	13.00	33,300	27,000	9.50	34,600	23,000	
CT*F4860*6A*+TXV	G*V950704C**	36,000	27,400	15.50	12.50	33,300	27,000	9.50	34,600	23,000	
CT*F4860*6A*+TXV	G*V950905D**	34,600	26,300	16.00	13.00	32,000	25,900	9.50	34,400	21,000	
H61F+TXV		34,600	26,300	16.00	13.00	32,000	25,900	8.75	34,600	21,000	
H61F+TXV		34,600	26,300	16.00	13.00	32,000	25,900	8.75	34,600	21,000	

ARI PERFORMANCE RATINGS (CONT.)

Outdoor Unit	Indoor Units		Cooling Capacity (BTU/h)		Heating Capacity (BTU/h)		ARI #					
	Coil & Blower Units	Furnace	Total	Sens.	SEER ¹	EER ²		Total	Sens.	High	HSPF ⁴	Low
	AEPF426016A*+TXV		45,500	35,000	15.50	12.50	42,100	34,500	46,000	9.00	29,000	1233093
	AEPF426016B*+TXV		45,500	35,000	15.50	12.50	42,100	34,500	46,000	9.00	29,000	1277863
	AEPF426016C*+TXV		45,500	35,000	15.50	12.50	42,100	34,500	46,000	9.00	29,000	1492639
	ASPF426016A*+TXV		45,500	35,000	15.50	12.50	42,100	34,500	46,000	9.00	30,000	1291301
	ASPF426016B*+TXV		45,500	35,000	15.50	12.50	42,100	34,500	46,000	9.00	30,000	1492640
	CA*F4860*6A*+EHP+TXV		45,500	35,000	14.00	12.00	42,100	34,500	46,000	9.00	29,000	1289761
	CA*F4860*6A*+MBE2000**+1+TXV		47,000	36,200	16.00	13.00	43,500	35,700	46,000	9.50	34,000	1047241
	CA*F4860*6A*+TXV	G*E81155C**	46,000	35,400	16.00	13.00	42,600	34,900	46,000	9.50	34,000	1444042
	CA*F4860*6A*+TXV	G*V81155C**	46,000	35,400	16.00	13.00	42,600	34,900	46,000	9.50	34,000	1444043
	CA*F4860*6A*+TXV	G*V950905D**	46,000	35,400	16.00	13.00	42,600	34,900	46,000	9.50	34,000	1047243
	CA*F4860*6A*+TXV	G*V951155D**	46,000	35,400	16.00	13.00	42,600	34,900	46,000	9.50	34,000	1047242
	CA*F4961*6A*+EHP+TXV		45,500	35,000	14.00	12.00	42,100	34,500	46,000	9.00	29,000	1347231
	CA*F4961*6A*+MBE2000**+1+TXV		47,000	36,200	16.00	13.00	43,500	35,700	46,000	9.50	34,000	1346799
	CA*F4961*6A*+TXV	G*E81155C**	46,000	35,400	16.00	13.00	42,600	34,900	46,000	9.50	34,000	1444044
	CA*F4961*6A*+TXV	G*V950905D**	46,000	35,400	16.00	13.00	42,600	34,900	46,000	9.50	34,000	1346800
	CA*F4961*6A*+TXV	G*V951155D**	46,000	35,400	16.00	13.00	42,600	34,900	46,000	9.50	34,000	1346801
	CHPF060D4*+TXV	G*V950905D**	46,000	35,400	16.00	13.00	42,600	34,900	46,000	9.50	34,000	1047245
	CHPF060D4*+TXV	G*V951155D**	46,000	35,400	16.00	13.00	42,600	34,900	46,000	9.50	34,000	1047247
SSZ16	CHPF4860*6A*+MBE2000**+1+TXV		47,000	36,200	16.00	13.00	43,500	35,700	46,000	9.50	34,000	1047252
0481A*	CHPF4860D6A*+EHP+TXV		45,500	35,000	14.00	12.00	42,100	34,500	46,000	9.00	29,000	1328898
	CHPF4860D6A*+TXV	G*V950905D**	46,000	35,400	16.00	13.00	42,600	34,900	46,000	9.50	34,000	1047244
	CHPF4860D6A*+TXV	G*V951155D**	46,000	35,400	16.00	13.00	42,600	34,900	46,000	9.50	34,000	1047246
	CHPF4860D6C*+EHP+TXV		45,500	35,000	14.00	12.00	42,100	34,500	46,000	9.00	29,000	1347601
	CHPF4860D6C*+MBE2000**+1A*+TXV		47,000	36,200	16.00	13.00	43,500	35,700	46,000	9.50	34,000	1330378
	CHPF4860D6C*+TXV	G*V950905D**	46,000	35,400	16.00	13.00	42,600	34,900	46,000	9.50	34,000	1330379
	CHPF4860D6C*+TXV	G*V951155D**	46,000	35,400	16.00	13.00	42,600	34,900	46,000	9.50	34,000	1330380
	CSCF4860N6A*+TXV	G*V950905D**	46,000	35,400	16.00	13.00	42,600	34,900	46,000	9.50	34,000	1047248
	CSCF4860N6A*+TXV	G*V951155D**	46,000	35,400	16.00	13.00	42,600	34,900	46,000	9.50	34,000	1047250
	CSCF4860N6C*+TXV	G*V950905D**	46,000	35,400	16.00	13.00	42,600	34,900	46,000	9.50	34,000	1296673
	CSCF4860N6C*+TXV	G*V951155D**	46,000	35,400	16.00	13.00	42,600	34,900	46,000	9.50	34,000	1296674
	CT*F4860*6A*+EHP+TXV		45,500	35,000	14.00	12.00	42,100	34,500	46,000	9.00	29,000	1450150
	CT*F4860*6A*+MBE2000**+1+TXV		47,000	36,200	16.00	13.00	43,500	35,700	46,000	9.50	34,000	1450151
	CT*F4860*6A*+TXV	G*V950905D**	46,000	35,400	16.00	13.00	42,600	34,900	46,000	9.50	34,000	1450152
	CT*F4860*6A*+TXV	G*V951155D**	46,000	35,400	16.00	13.00	42,600	34,900	46,000	9.50	34,000	1450153
	H61F+TXV	G*V950905D**	46,000	35,400	16.00	13.00	42,600	34,900	46,000	9.50	34,000	1047249
	H61F+TXV	G*V951155D**	46,000	35,400	16.00	13.00	42,600	34,900	46,000	9.50	34,000	1047251

ARI PERFORMANCE RATINGS (CONT.)

Outdoor Unit	Indoor Units		Cooling Capacity (BTU/h)				Heating Capacity (BTU/h)				ARI #	
	Coil & Blower Units	Furnace	Total	Sens.	SEER ¹	EER ²	Total	Sens. ³	High	HSPF ⁴		Low
	AEPF426016A*+TXV		57,000	42,200	15.00	11.50	52,700	41,600	57,000	9.00	34,600	1260952
	AEPF426016B*+TXV		57,000	42,200	15.00	11.50	52,700	41,600	57,000	9.00	34,600	1277870
	AEPF426016C*+TXV		57,000	42,200	15.00	11.50	52,700	41,600	57,000	9.00	34,600	1492641
	CA*F4860*6A*+MBE2000**-1+TXV		57,000	42,200	16.00	12.20	52,700	41,600	57,000	9.75	36,000	1047256
	CA*F4860*6A*+TXV	G*V91155D**	57,000	42,200	15.00	11.50	52,700	41,600	57,000	9.00	34,600	1464062
	CA*F4860*6A*+TXV	G*V951155D**	57,000	42,200	15.00	11.50	52,700	41,600	57,000	9.00	34,600	1347612
	CA*F4961*6A*+MBE2000**-1+TXV		57,000	42,200	16.00	12.20	52,700	41,600	57,000	9.75	36,000	1401103
	CA*F4961*6A*+TXV	G*E80905C**	56,500	41,800	15.50	12.00	52,300	41,300	57,000	9.00	34,600	1412609
SSZ16	CA*F4961*6A*+TXV	G*E81155C**	56,000	41,400	15.50	12.00	51,800	40,900	57,000	9.00	34,600	1412616
0601A*	CA*F4961*6A*+TXV	G*V91155D**	57,000	42,200	15.00	11.50	52,700	41,600	57,000	9.00	34,600	1464063
	CA*F4961*6A*+TXV	G*V951155D**	57,000	42,200	15.00	11.50	52,700	41,600	57,000	9.00	34,600	1401101
	CHPF4860*6A*+MBE2000**-1+TXV		57,000	42,200	16.00	12.20	52,700	41,600	57,000	9.75	36,000	1047258
	CHPF4860D6A*+TXV	G*V951155D**	57,000	42,200	15.00	11.50	52,700	41,600	57,000	9.00	34,600	1347613
	CHPF4860D6C*+MBE2000**-1A*+TXV		57,000	42,200	16.00	12.20	52,700	41,600	57,000	9.75	36,000	1347606
	CHPF4860D6C*+TXV	G*E80905C**	56,000	41,400	15.50	12.00	51,800	40,900	57,000	9.00	34,600	1412625
	CHPF4860D6C*+TXV	G*E81155C**	56,000	41,400	15.50	12.00	51,800	40,900	57,000	9.00	34,600	1412621
	CT*F4860*6A*+MBE2000**-1+TXV		57,000	42,200	16.00	12.20	52,700	41,600	57,000	9.75	36,000	1450154
	CT*F4860*6A*+TXV	G*V951155D**	57,000	42,200	15.00	11.50	52,700	41,600	57,000	9.00	34,600	1450155

¹ Seasonal Energy Efficiency Ratio; Certified per ARI 210/240 @ 80°F/67°F/95°F

³ TVA Rating: BTU/h @ 75°F/63°F - 95°F

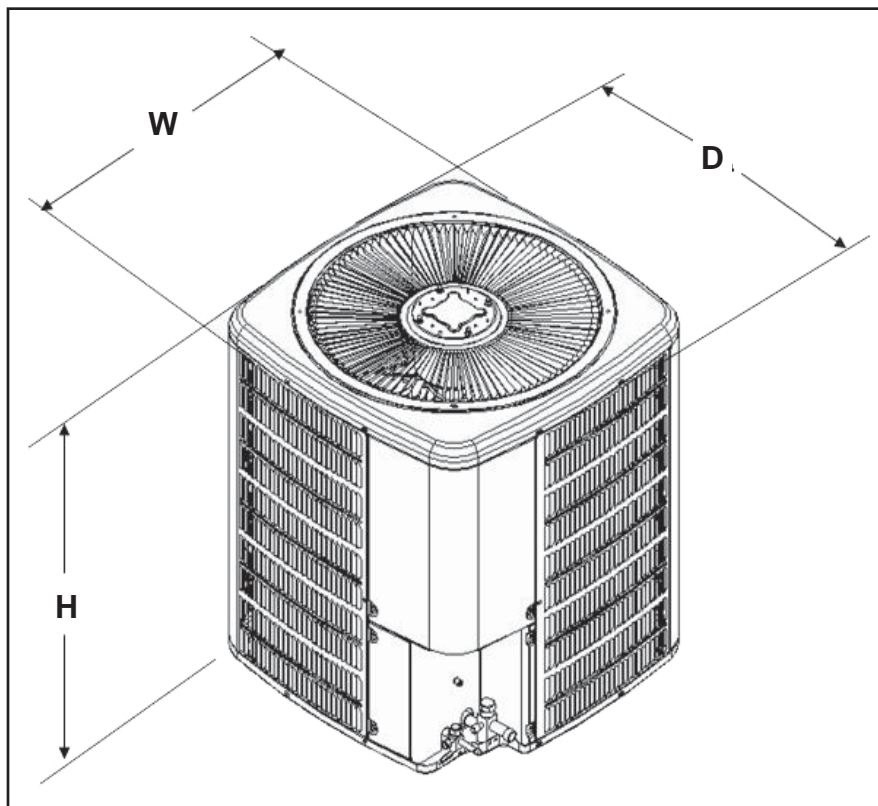
² Energy Efficiency Ratio @ 80°F/67°F/95°F

⁴ HSPF = Heating Seasonal Performance Factor

Notes:

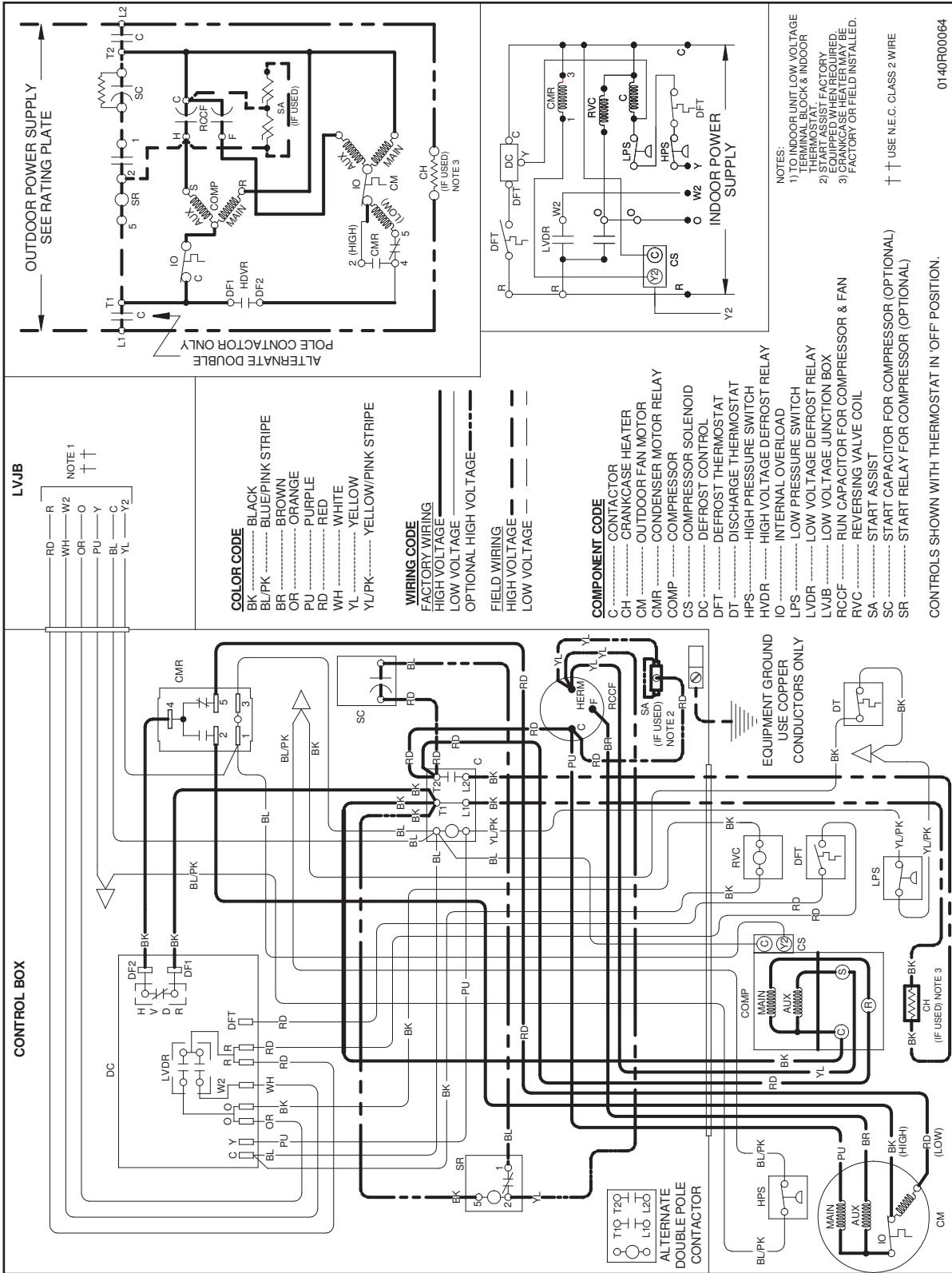
- Always check the S&R plate for electrical data on the unit being installed.
- When matching the outdoor unit to the indoor unit, use the piston supplied with the outdoor unit or that specified on the piston kit chart supplied with the indoor unit.
- EEP - Order from Service Dept. Part No. B13707-38 or new Solid State Board B13707-35S. Part No. B13707-38 is not interchangeable with B13707-35S. The Goodman Gas Furnace contains the EEP cooling time delay

DIMENSIONS



Model	Dimensions
SSZ160241AA	29x29x38¼
SSZ160361AA	35½x35½x38¼
SSZ160481AA	35½x35½x38¼
SSZ160601AA	35½x35½x38¼

WIRING DIAGRAM — SSZ160601AA

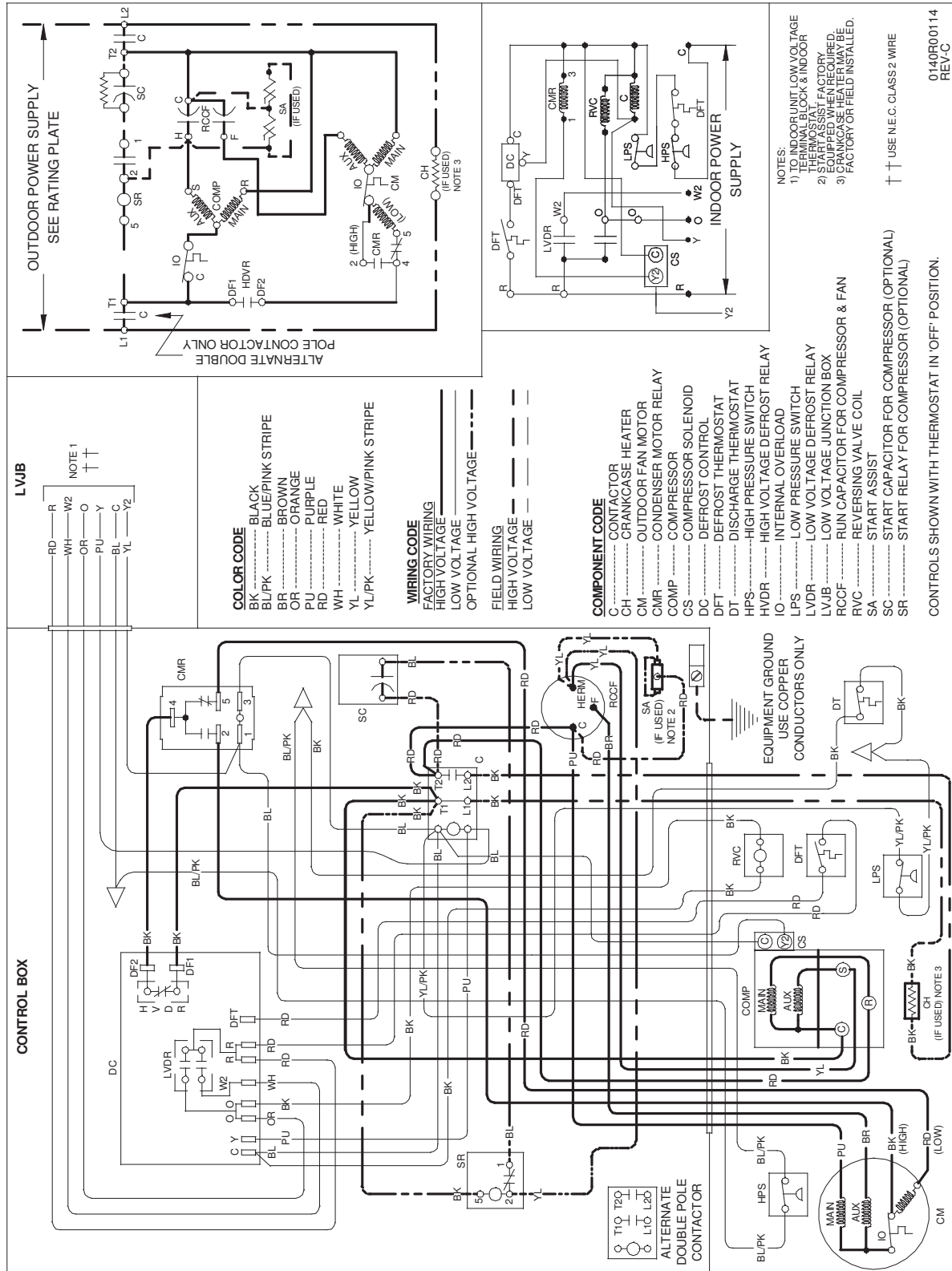


WARNING

High Voltage:
Disconnect all power before servicing or installing this unit. Multiple power sources may be present. Failure to do so may cause property damage, personal injury, or death.

Wiring is subject to change. Always refer to the wiring diagram or the unit for the most up-to-date wiring.

WIRING DIAGRAM — SSZ160601AB/ AC



WARNING

High Voltage:
Disconnect all power before servicing or installing this unit. Multiple power sources may be present. Failure to do so may cause property damage, personal injury, or death.

Wiring is subject to change. Always refer to the wiring diagram or the unit for the most up-to-date wiring.

ACCESSORIES

Model	Description	SSZ16024	SSZ16036	SSZ16048	SSZ16060
ABK-20	Anchor Bracket Kit*	X	X	X	X
ASC-01	Anti-Short Cycle Kit	X	X	X	X
CSR-U-1	Hard-start Kit	X	X		
CSR-U-2	Hard-start Kit		X	X	X
CSR-U-3	Hard-start Kit			X	X
FSK01A ¹	Freeze Protection Kit	X	X	X	X
OT18-60A ²	Outdoor Thermostat w/ Lockout Stat	X	X	X	X
TX2N4 ³	TXV Kit	X			
TX3N4 ³	TXV Kit		X		
TX5N4 ³	TXV Kit			X	X

* Contains 20 brackets; four brackets needed to anchor unit to pad

¹ Installed on indoor coil

² Required for heat pump applications where ambient temperatures fall below 0° F with 50% or higher relative humidity.

³ Field-installed, non-bleed, expansion valve kit — Condensing units and heat pumps with reciprocating compressors require the use of start-assist components when used in conjunction with an indoor coil using a non-bleed thermal expansion valve refrigerant metering device.

NOTES

PRODUCT SPECIFICATIONS

NOTES

