



Air Conditioning & Heating

PRODUCT SPECIFICATIONS



1½- TO 3-TONS

AWUF SERIES

WALL-MOUNT AIR HANDLER

The Goodman® AWUF vertical stud- or wall-mount electric heat Air Handler features a direct-drive, multi-speed motor (to permit air volume flexibility) and fully insulated, galvanized steel construction.

Standard Features

- Suitable for use with refrigerants R-410A (-16 models only) and R-22 (-16 & -1 models)
- Equipped with a Check Flowrater for cooling-only and heat pump operation
- Direct-drive, multi-speed motor allows air volume variation for heating/cooling
- Sequence-controlled, rust-resistant nickel chromium heating elements of 5, 8, and 10 kW
- Factory-installed pull-type disconnect
- Built-in filter rack (filter included)
- ARI Certified
- ETL Certified

Cabinet Features

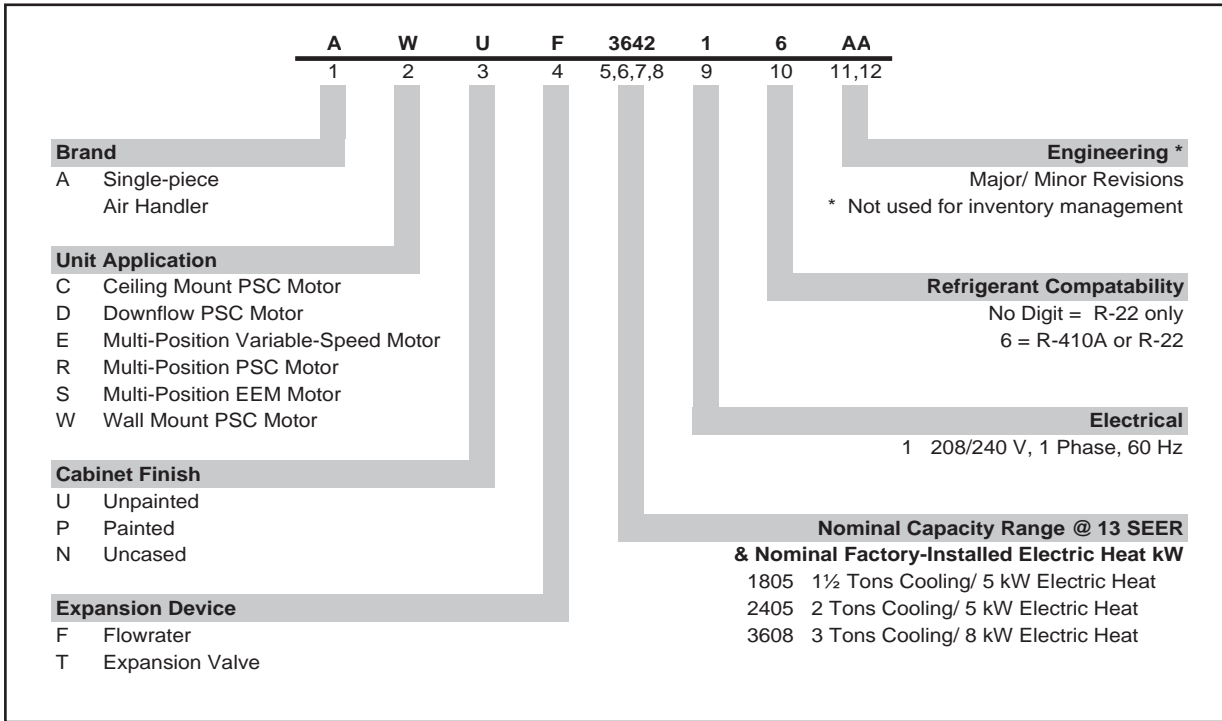
- Thermoplastic drain pan with bottom primary and secondary drain connections
- Built-in filter rack (filter included)
- Large chassis (2½- and 3-ton units) – front return only
- Small chassis (1½- and 2-ton units) – front or bottom return
- Wall-hanging bracket provided

Accessories

- Wall access doors:
 - WAD-1 fits AWUF18 and AWUF24
 - WAD-2 fits AWUF30, AWUF36, and AWUF37



NOMENCLATURE



SPECIFICATIONS

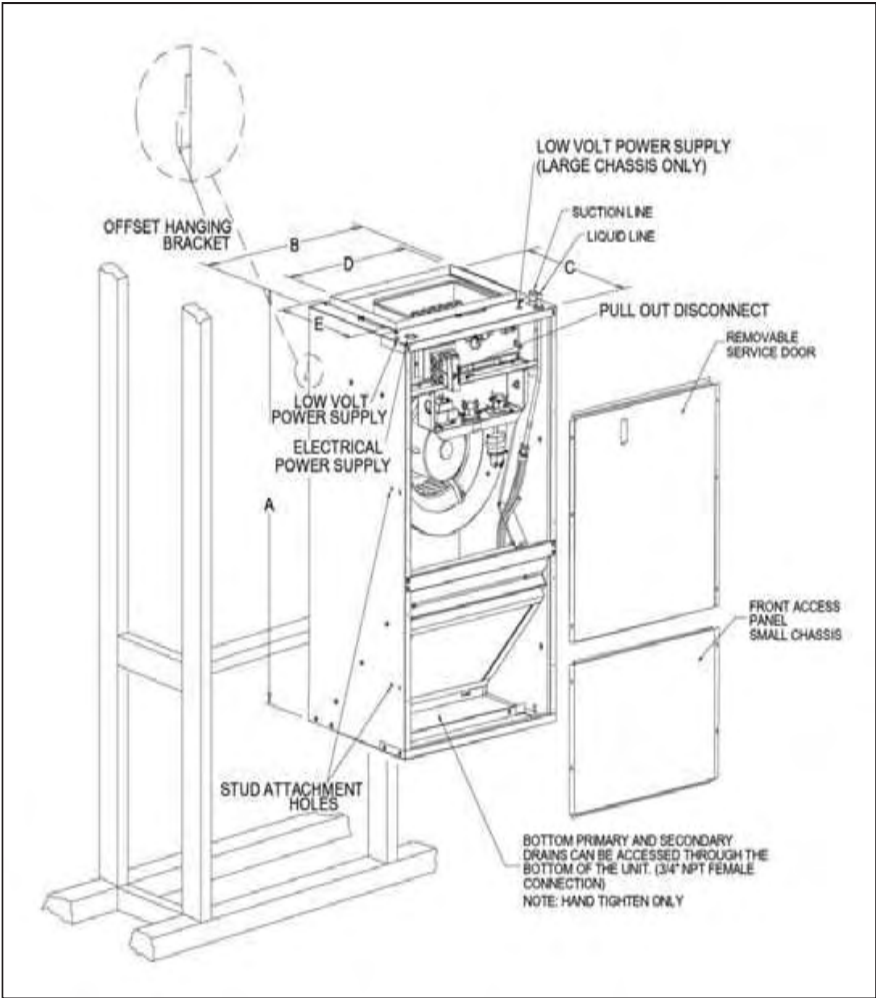
	AWUF 18051/16	AWUF 18081/16	AWUF 24051/16	AWUF 24081/16	AWUF 24101/16	AWUF 30051/16	AWUF 30081/16	AWUF 30101/16
Nominal Ratings								
Cooling (BTU/h)	18,000	18,000	24,000	24,000	24,000	30,000	30,000	30,000
CFM (High/ Low)	730/720	730/720	830/800	830/800	830/800	1,120/1,020	1,120/1,020	1,120/1,020
Electric Heat (kW)	5	8	5	8	10	5	8	10
Blower								
Diameter	9	9	10	10	10	9	9	9
Width	6	6	6	6	6	8	8	8
Coil Drain Connection FPT	3/4"	3/4"	3/4"	3/4"	3/4"	3/4"	3/4"	3/4"
Service Valve								
Liquid	3/8"	3/8"	3/8"	3/8"	3/8"	3/8"	3/8"	3/8"
Suction	5/8"	5/8"	5/8"	5/8"	5/8"	3/4"	3/4"	3/4"
Electrical Data								
Voltage	240/208	240/208	240/208	240/208	240/208	240/208	240/208	240/208
Min Circuit Ampacity 240V	26.7	39.7	26.7	39.7	52.7	27	40	53
Min Circuit Ampacity 208V	23.3	34.2	23.3	34.2	45.6	23.6	34.5	45.9
Max. Overcurrent Device 240v	30	40	30	40	60	30	40	60
Max. Overcurrent Device 208v	30	40	30	40	50	30	40	50
Minimum VAC	197	197	197	197	197	197	197	197
Maximum VAC	253	253	253	253	253	253	253	253
Blower Motor								
FLA	1.35	1.35	1.35	1.35	1.35	1.61	1.61	1.61
HP	1/5	1/5	1/5	1/5	1/5	1/3	1/3	1/3
Ship Weight (lbs)	84	84	84	84	84	93	93	93

PRODUCT SPECIFICATIONS

SPECIFICATIONS (CONT.)

	AWUF 36051/16	AWUF 36081/16	AWUF 36101/16	AWUF 370516	AWUF 370816	AWUF 371016
Nominal Ratings						
Cooling (BTU/h)	30,000-36,000	30,000-36,000	30,000-36,000	30,000-36,000	30,000-36,000	30,000-36,000
CFM (High/ Low)	1,110/ 1,030	1,110/ 1,030	1,110/ 1,030	1,110/ 1,030	1,110/ 1,030	1,110/ 1,030
Electric Heat (kW)	5	8	10	5	8	10
Blower						
Diameter	9	9	9	10	10	10
Width	8	8	8	8	8	8
Coil Drain Connection FPT	3/4"	3/4"	3/4"	3/4"	3/4"	3/4"
Service Valve						
Liquid	3/8"	3/8"	3/8"	3/8"	3/8"	3/8"
Suction	3/4"	3/4"	3/4"	3/4"	3/4"	3/4"
Electrical Data						
Voltage	240/208	240/208	240/208	240/208	240/208	240/208
Min Circuit Ampacity 240V	27	40	53	30.1	43.2	56.2
Min Circuit Ampacity 208V	23.6	34.5	45.9	26.8	38.1	49.3
Max. Overcurrent 240v	30	40	60	30	50	60
Max. Overcurrent 208v	30	40	50	30	40	50
Minimum VAC	197	197	197	197	197	197
Maximum VAC	253	253	253	253	253	253
Blower Motor						
FLA	1.61	1.61	1.61	4.1	4.1	4.1
HP	1/3	1/3	1/3	1/2	1/2	1/2
Ship Weight (lbs)	96	96	96	96	96	96

DIMENSIONS



Small Chassis (AWUF18/24)	
A	36"
B	20 ³ / ₁₆ "
C	16 ¹ / ₈ "
D	16"
E	11"
Filter	14" x 18" x 1"

Large Chassis (AWUF30/36/37)	
A	36"
B	24"
C	21"
D	19 ⁷ / ₈ "
E	15 ⁷ / ₈ "
Filter	16" x 20" x 1"

AIRFLOW DATA

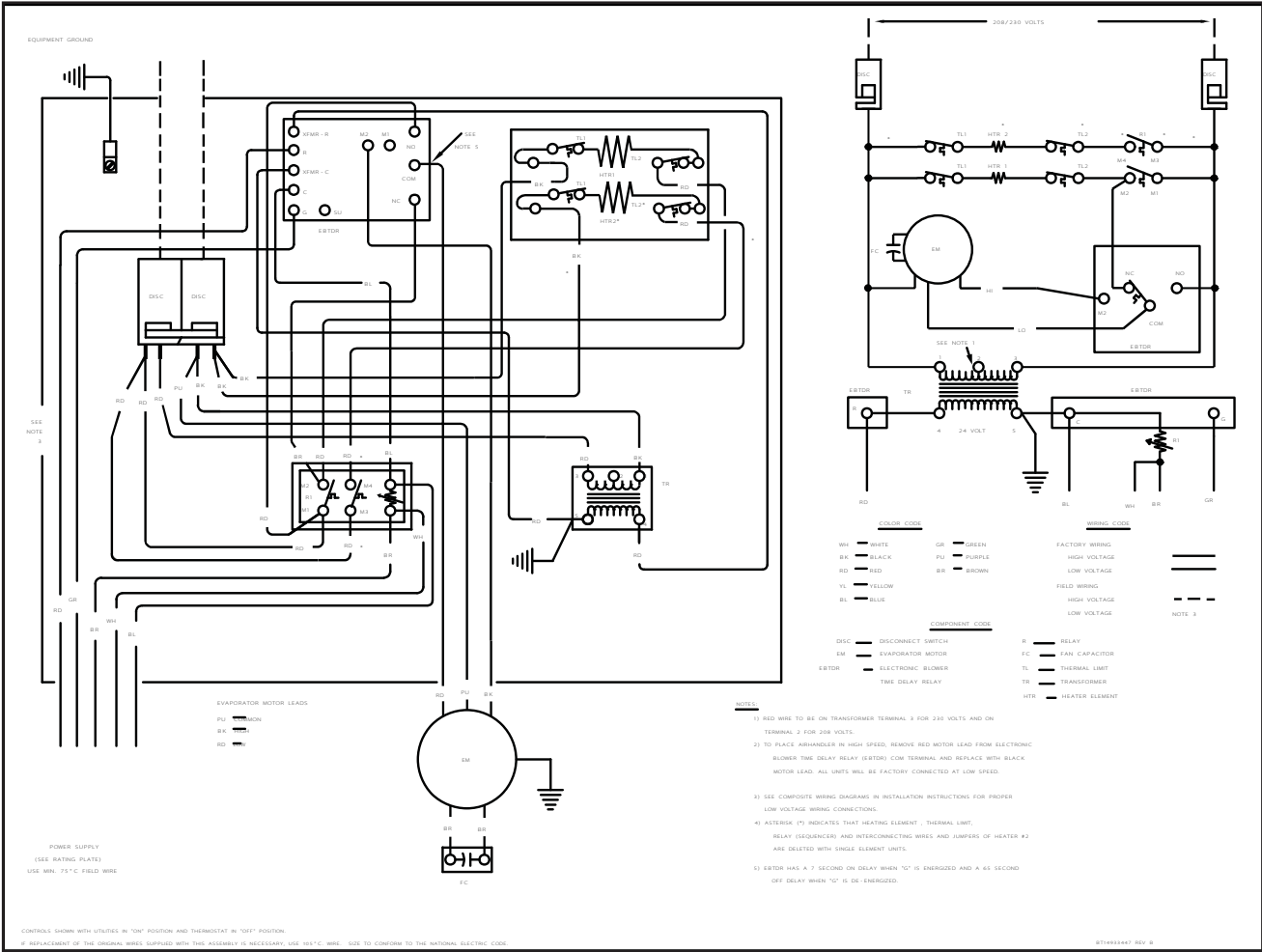
Model	Speed	CFM delivered against External Static Pressure				
		0.1"	0.2"	0.3"	0.4"	0.5"
AWUF18***1/16	High	750	730	690	650	595
	Low	710	700	690	635	585
AWUF24***1/16	High	880	845	810	770	735
	Low	845	815	780	745	705
AWUF30***1/16	High	1,250	1,195	1,135	1,085	1,010
	Low	1,110	1,055	1,020	955	905
AWUF36***1/16	High	1,278	1,191	1,107	1,012	931
	Low	1,171	1,102	1,028	949	887
AWUF37***16	T2	1,086	1,061	1,028	996	950
	T3	1,205	1,174	1,150	1,115	1,073
	T4	1,275	1,244	1,202	1,156	1,100
	T5	1,326	1,284	1,232	1,181	1,115

HEATING CAPACITY CORRECTION FACTOR*



Supply Voltage	240	230	220	210	208
Correction Factor	1.00	.92	.84	.76	.74

* Multiply 240-volt capacity by correction factor

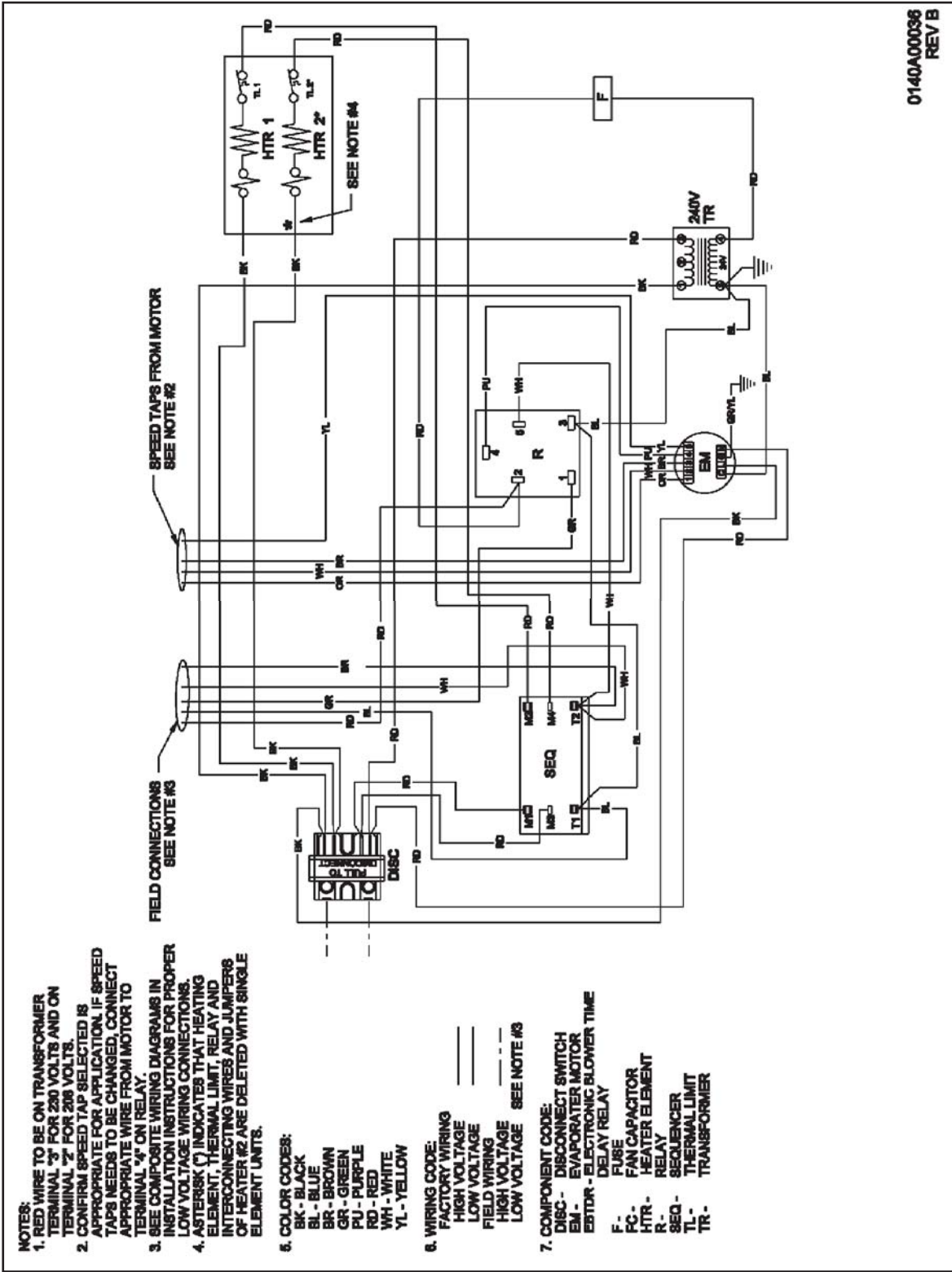
AWUF18 - AWUF36 WIRING DIAGRAMS




Wiring is subject to change. Always refer to the wiring diagram on the unit for the most up-to-date wiring.


 <p>WARNING</p>	<p>High Voltage: Disconnect all power before servicing or installing this unit. Multiple power sources may be present. Failure to do so may cause property damage, personal injury, or death.</p>	
---	--	---

AWUF37 WIRING DIAGRAMS





WARNING



High Voltage:
Disconnect all power before servicing or installing this unit. Multiple power sources may be present. Failure to do so may cause property damage, personal injury, or death.

Wiring is subject to change. Always refer to the wiring diagram on the unit for the most up-to-date information.

